

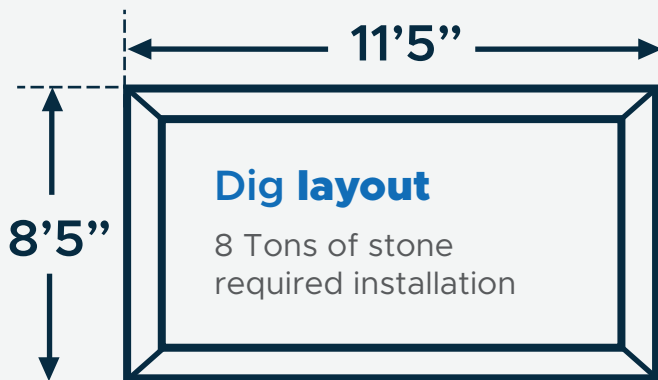


**LONESTAR**  
FIBERGLASS POOLS

## Dig diagram

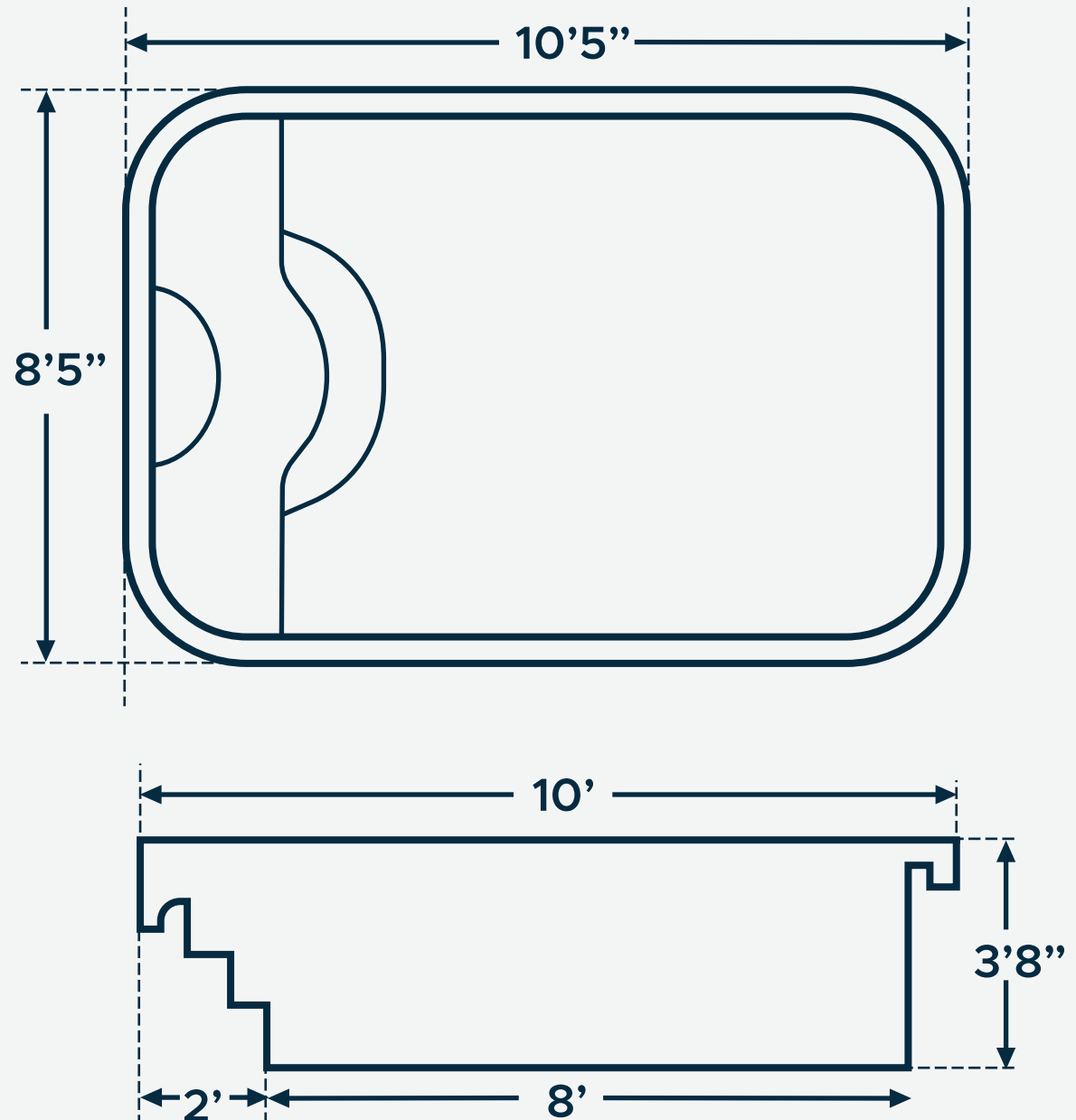
It is important to have your excavator review the Dig Diagram prior to excavation. All dimensions are approximate. A 4" over-dig must be added to the bottom for the stone, along with a 1' by 2' trench from the pool hole to the area of the equipment placement for plumbing and wiring.

**Perimeter feet 40 | Gallons 900**



[LoneStarFiberglassPools.com](http://LoneStarFiberglassPools.com) | 830.875.6900  
7150 N IH35 | New Braunfels Tx 78130

## The Dallas | 10'5" x 8'5"



\*All measurements are approximate



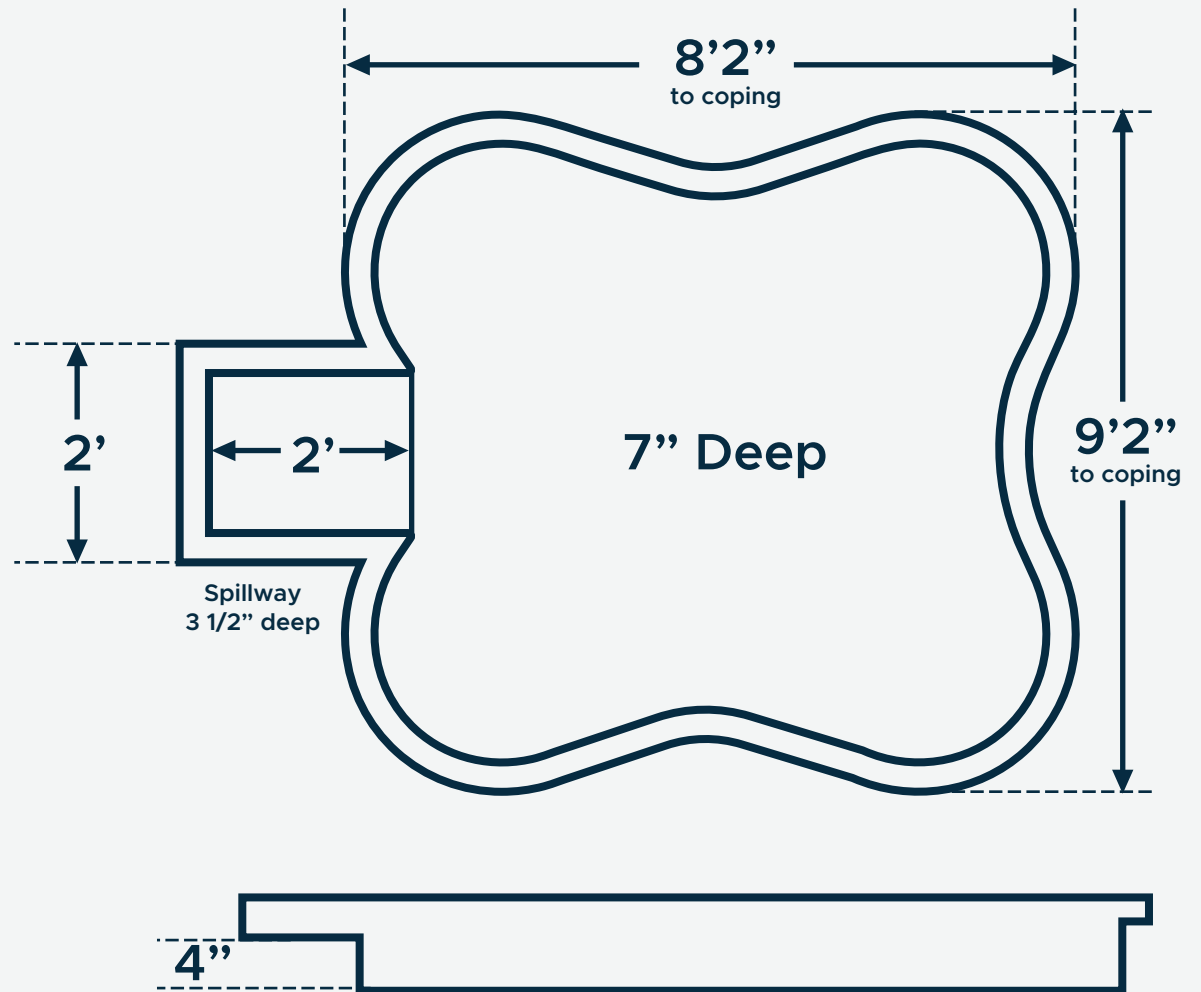
**LONESTAR**  
FIBERGLASS POOLS

## Dig diagram

It is important to have your excavator review the Dig Diagram prior to excavation. All dimensions are approximate. A 4" over-dig must be added to the bottom for the stone, along with a 1' by 2' trench from the pool hole to the area of the equipment placement for plumbing and wiring.

**Perimeter feet 40 | Gallons 150**

## The Arlington | 8'2" x 9'2"





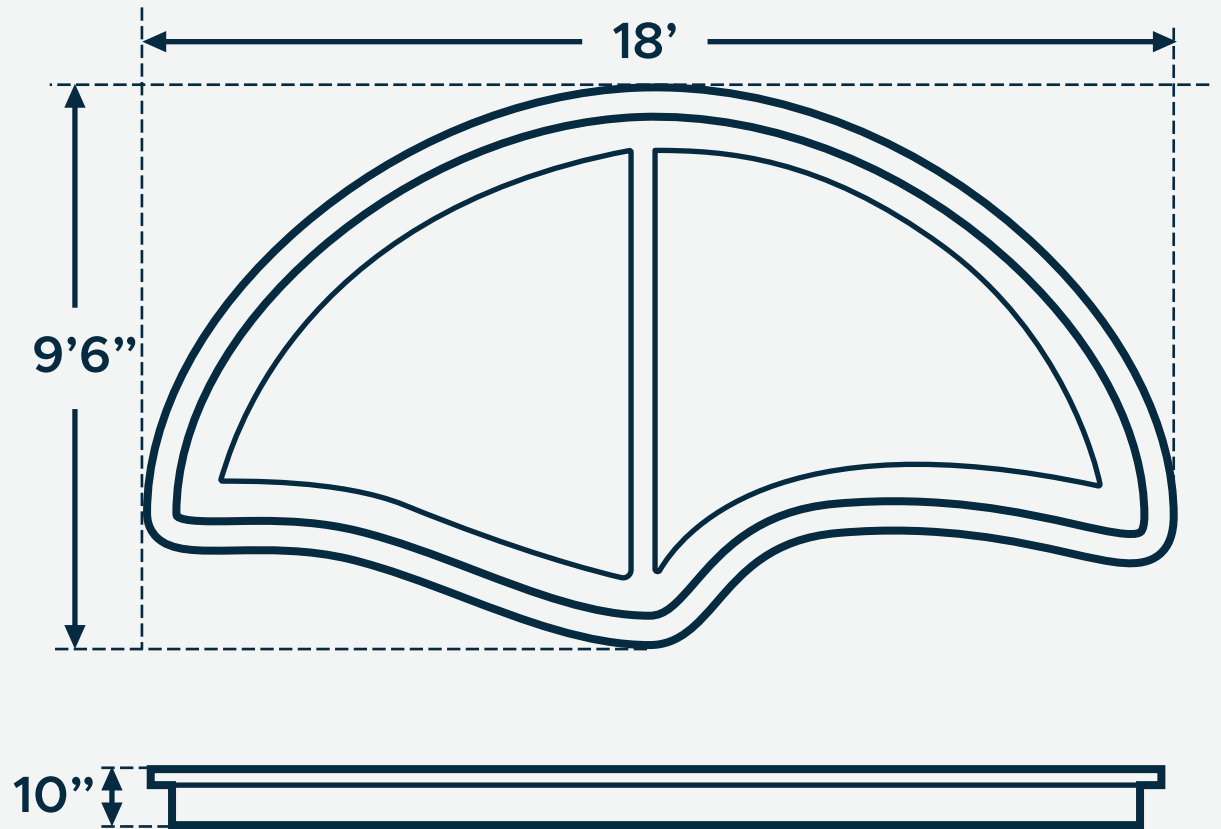
**LONESTAR**  
FIBERGLASS POOLS

## Dig diagram

It is important to have your excavator review the Dig Diagram prior to excavation. All dimensions are approximate. A 4" over-dig must be added to the bottom for the stone, along with a 1' by 2' trench from the pool hole to the area of the equipment placement for plumbing and wiring.

**Perimeter feet 42**

## The Serenity | 18' x 9'6"





# LONESTAR

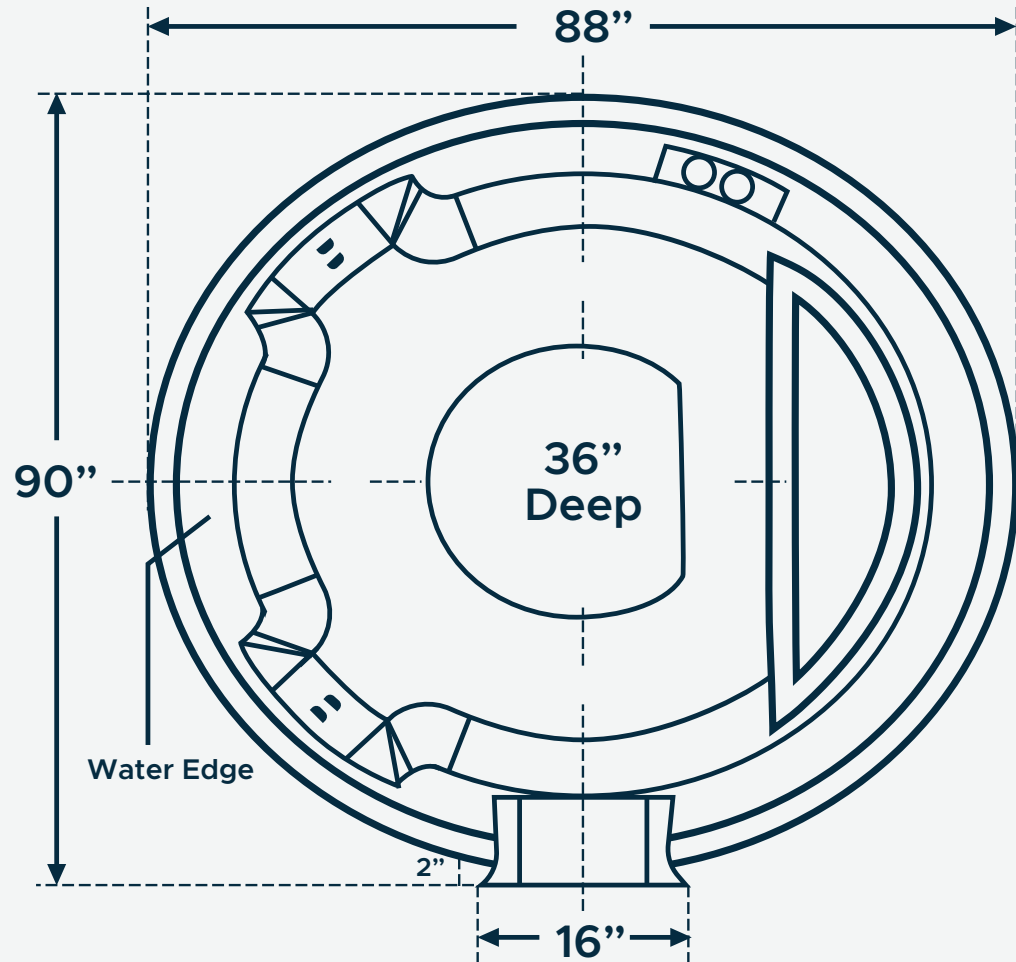
FIBERGLASS POOLS

## Dig diagram

It is important to have your excavator review the Dig Diagram prior to excavation. All dimensions are approximate. A 4" over-dig must be added to the bottom for the stone, along with a 1' by 2' trench from the pool hole to the area of the equipment placement for plumbing and wiring.

**Perimeter feet 20 | Gallons 300**

## The Boston | 88" x 90"





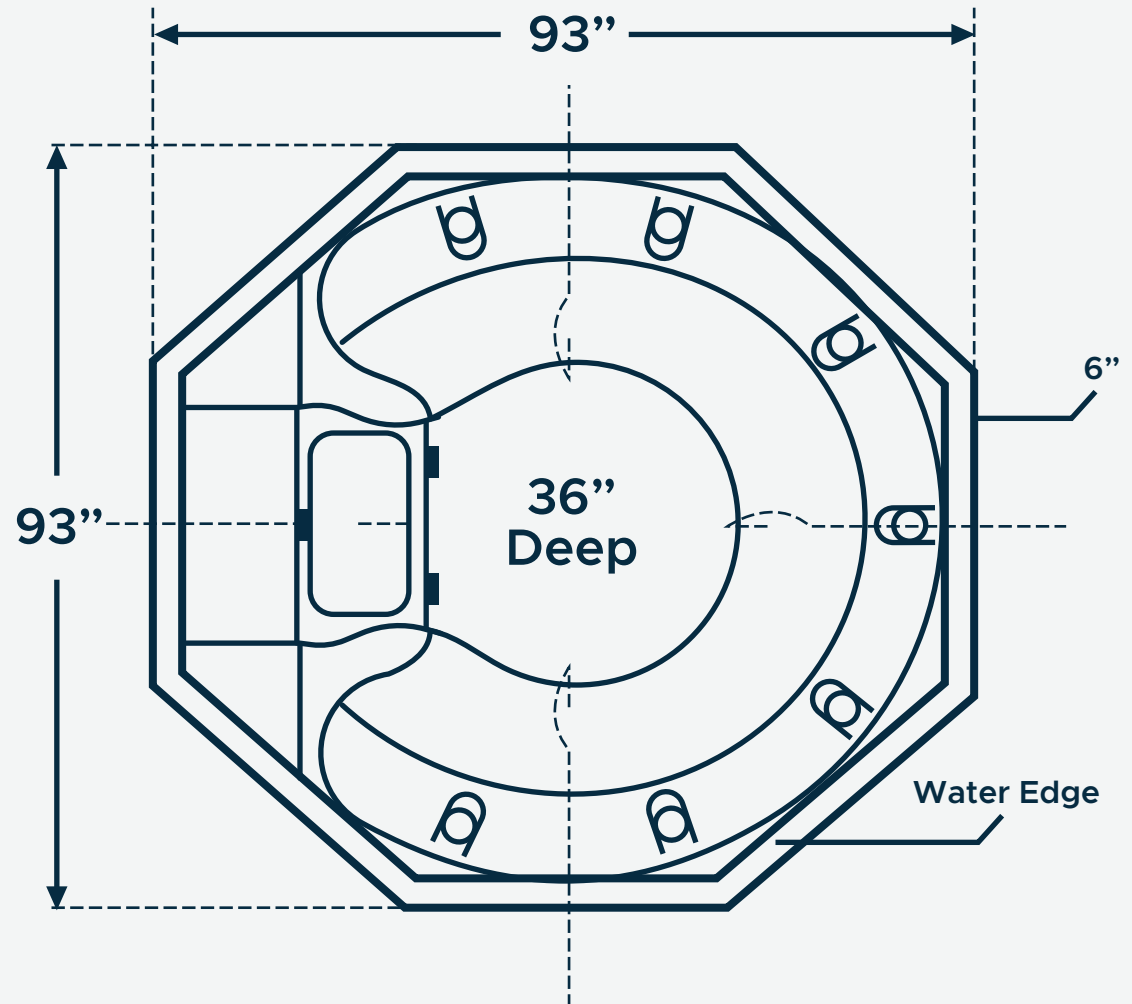
**LONESTAR**  
FIBERGLASS POOLS

## Dig diagram

It is important to have your excavator review the Dig Diagram prior to excavation. All dimensions are approximate. A 4" over-dig must be added to the bottom for the stone, along with a 1' by 2' trench from the pool hole to the area of the equipment placement for plumbing and wiring.

**Perimeter feet 24 | Gallons 300**

## The Flagstaff | 93"x 93"





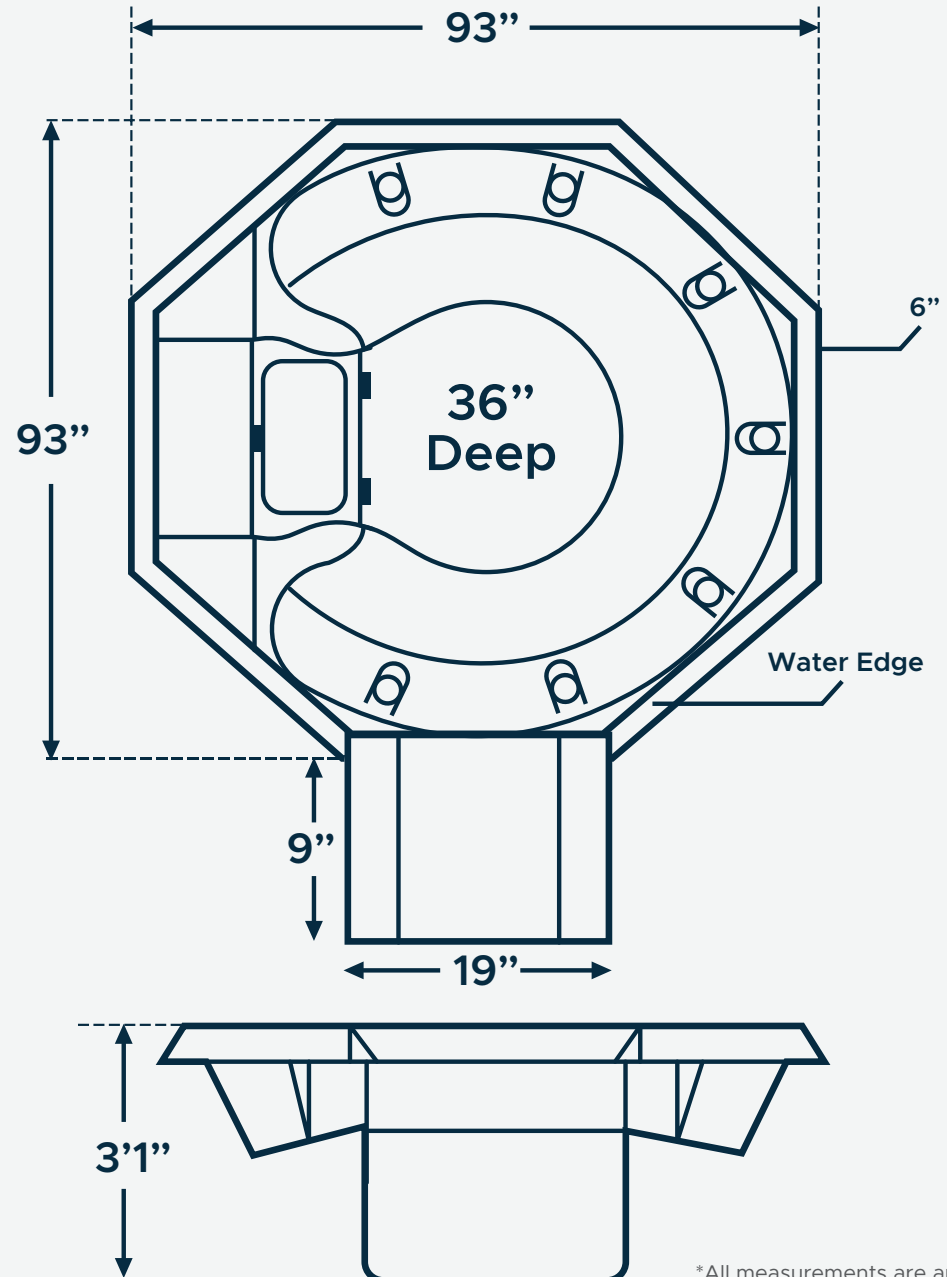
**LONESTAR**  
FIBERGLASS POOLS

## Dig diagram

It is important to have your excavator review the Dig Diagram prior to excavation. All dimensions are approximate. A 4" over-dig must be added to the bottom for the stone, along with a 1' by 2' trench from the pool hole to the area of the equipment placement for plumbing and wiring.

**Perimeter feet 40 | Gallons 300**

## The Portland | 93" x 93"



[LoneStarFiberglassPools.com](http://LoneStarFiberglassPools.com) | 830.875.6900  
7150 N IH35 | New Braunfels Tx 78130

\*All measurements are approximate



**LONESTAR**  
FIBERGLASS POOLS

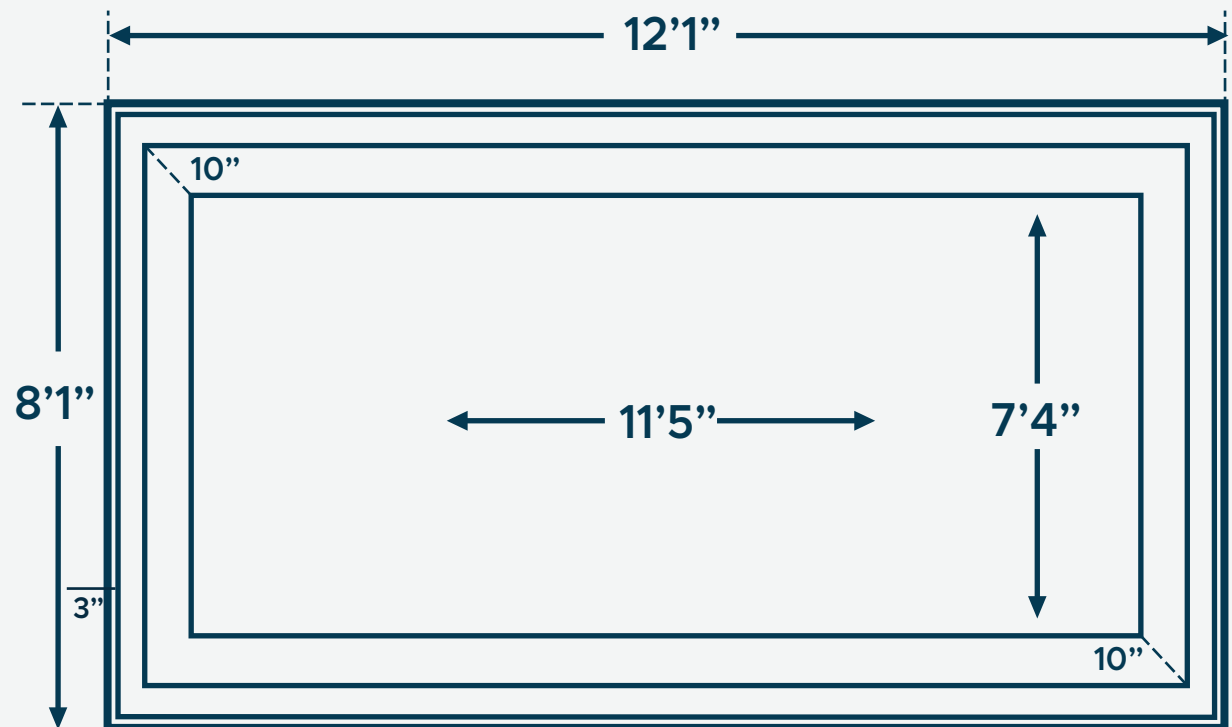
# The Tahoe | 12'1" x 8'1"

## Tanning ledge

### Dig diagram

It is important to have your excavator review the Dig Diagram prior to excavation. All dimensions are approximate. A 4" over-dig must be added to the bottom for the stone, along with a 1' by 2' trench from the pool hole to the area of the equipment placement for plumbing and wiring.

**Perimeter feet 40 | Gallons 600**



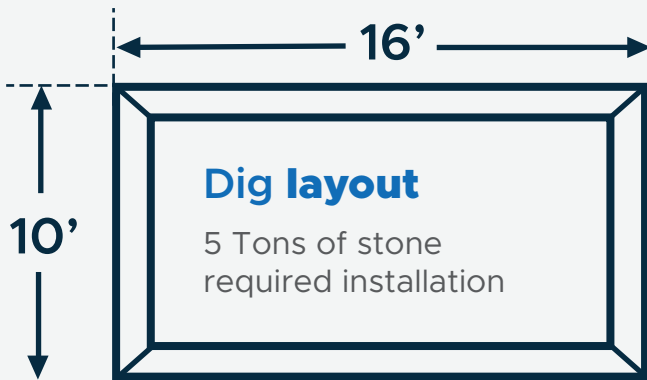


**LONESTAR**  
FIBERGLASS POOLS

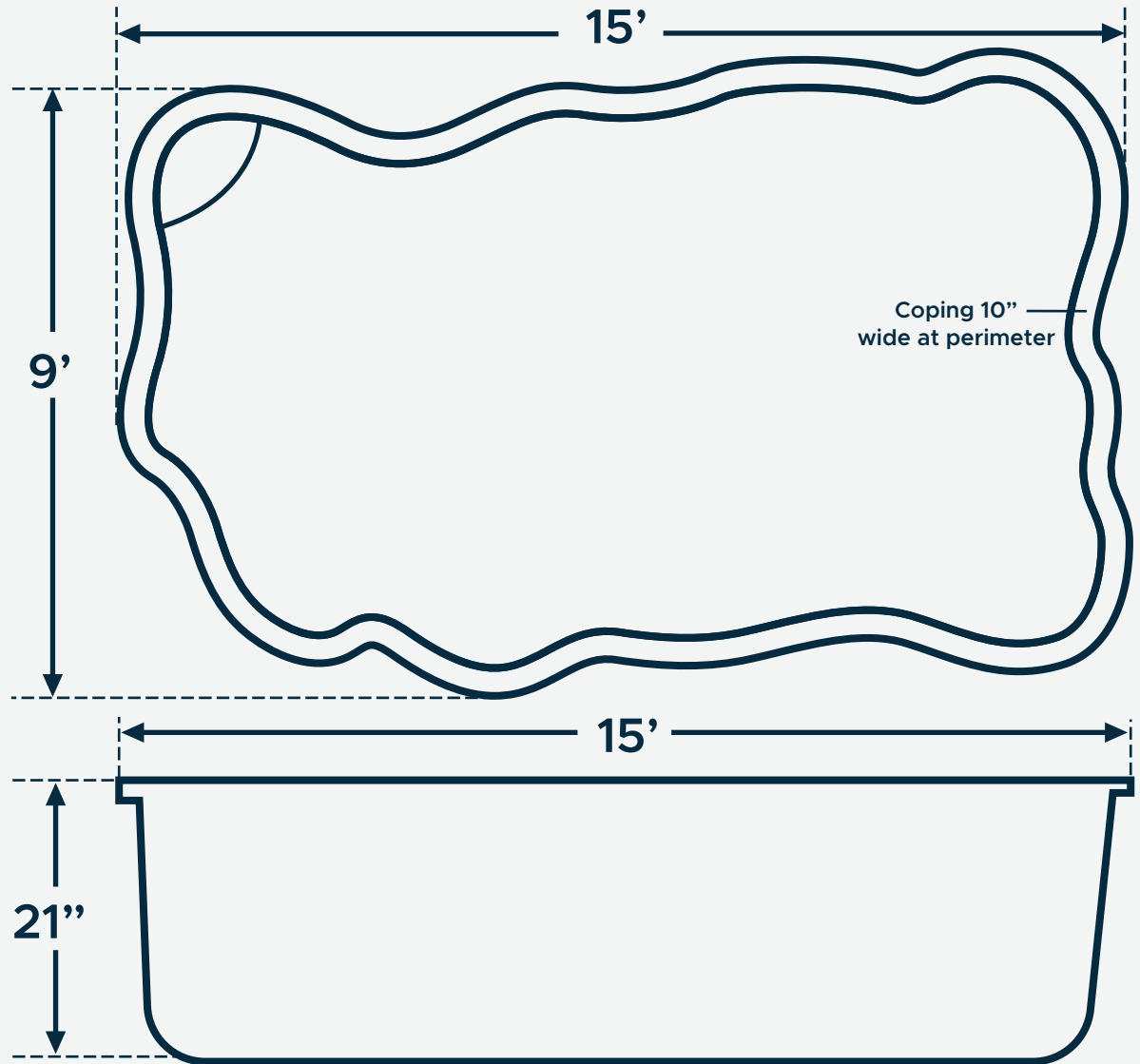
## Dig diagram

It is important to have your excavator review the Dig Diagram prior to excavation. All dimensions are approximate. A 4" over-dig must be added to the bottom for the stone, along with a 1' by 2' trench from the pool hole to the area of the equipment placement for plumbing and wiring.

**Perimeter feet 40 | Gallons 500**



## The Memphis | 15' x 9'



**LoneStarFiberglassPools.com | 830.875.6900**  
**7150 N IH35 | New Braunfels Tx 78130**

\*All measurements are approximate



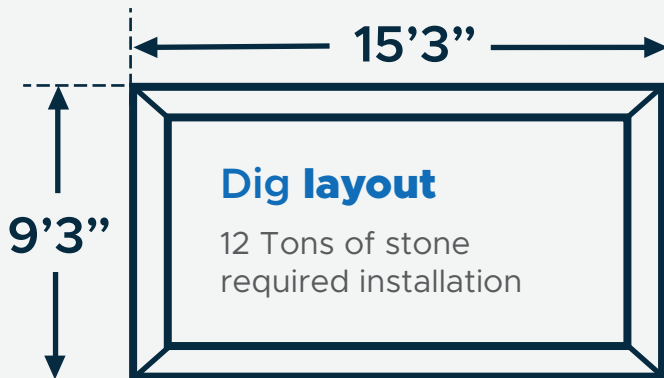


**LONESTAR**  
FIBERGLASS POOLS

## Dig diagram

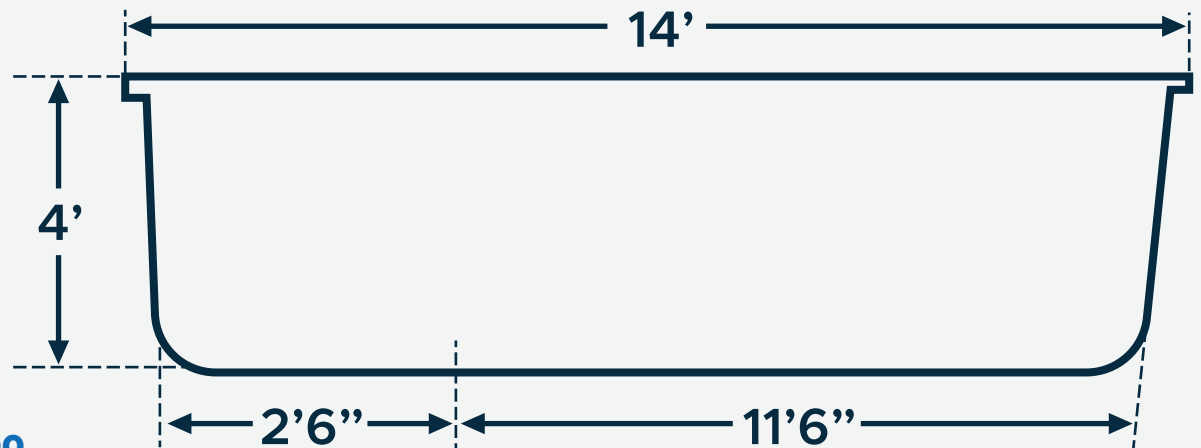
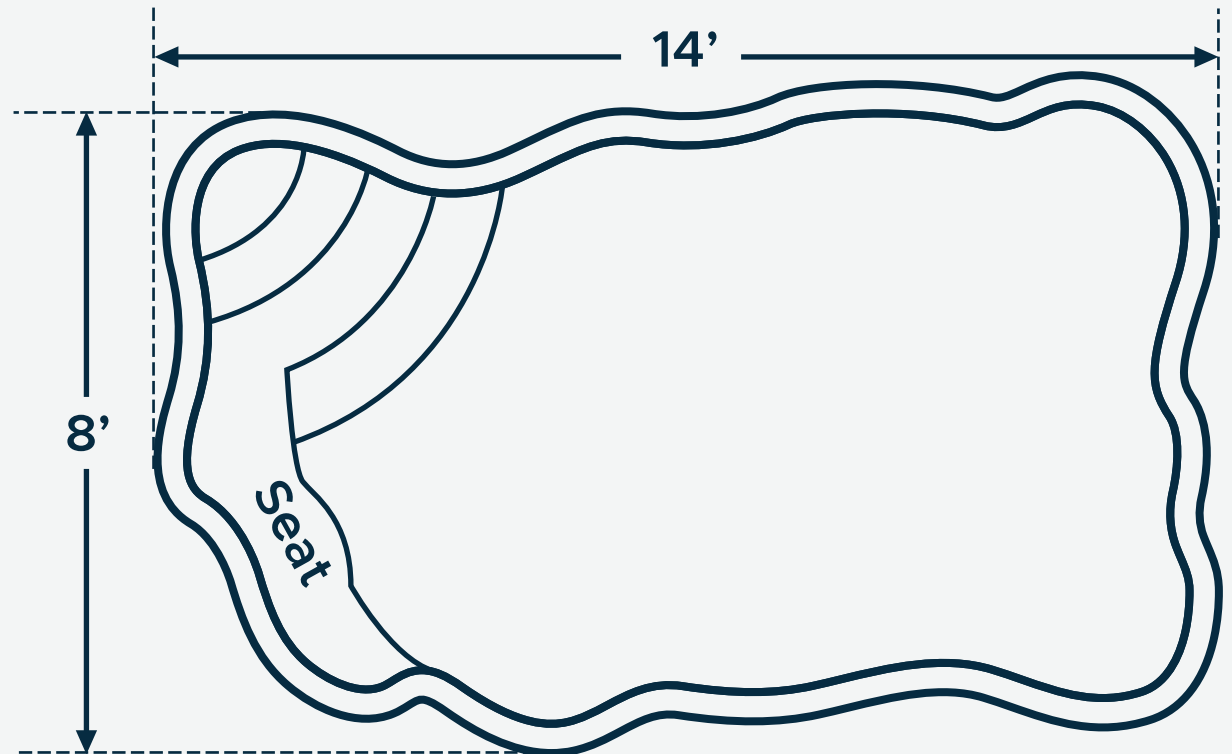
It is important to have your excavator review the Dig Diagram prior to excavation. All dimensions are approximate. A 4" over-dig must be added to the bottom for the stone, along with a 1' by 2' trench from the pool hole to the area of the equipment placement for plumbing and wiring.

**Perimeter feet 40 | Gallons 1200**



[LoneStarFiberglassPools.com](http://LoneStarFiberglassPools.com) | 830.875.6900  
7150 N IH35 | New Braunfels Tx 78130

## The Denver | 14' x 8'



\*All measurements are approximate

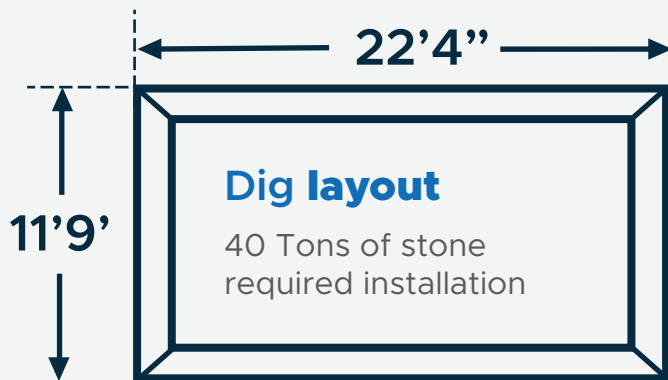


**LONESTAR**  
FIBERGLASS POOLS

## Dig diagram

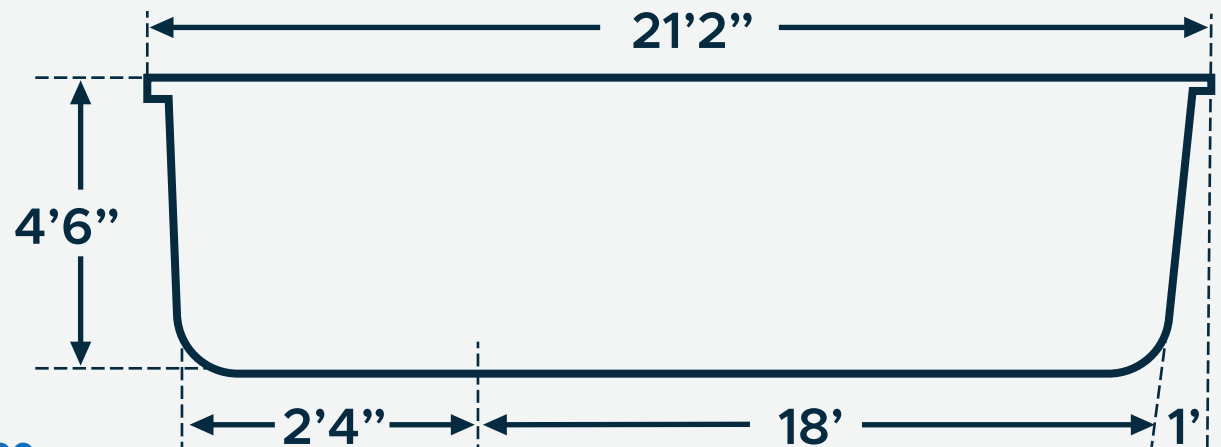
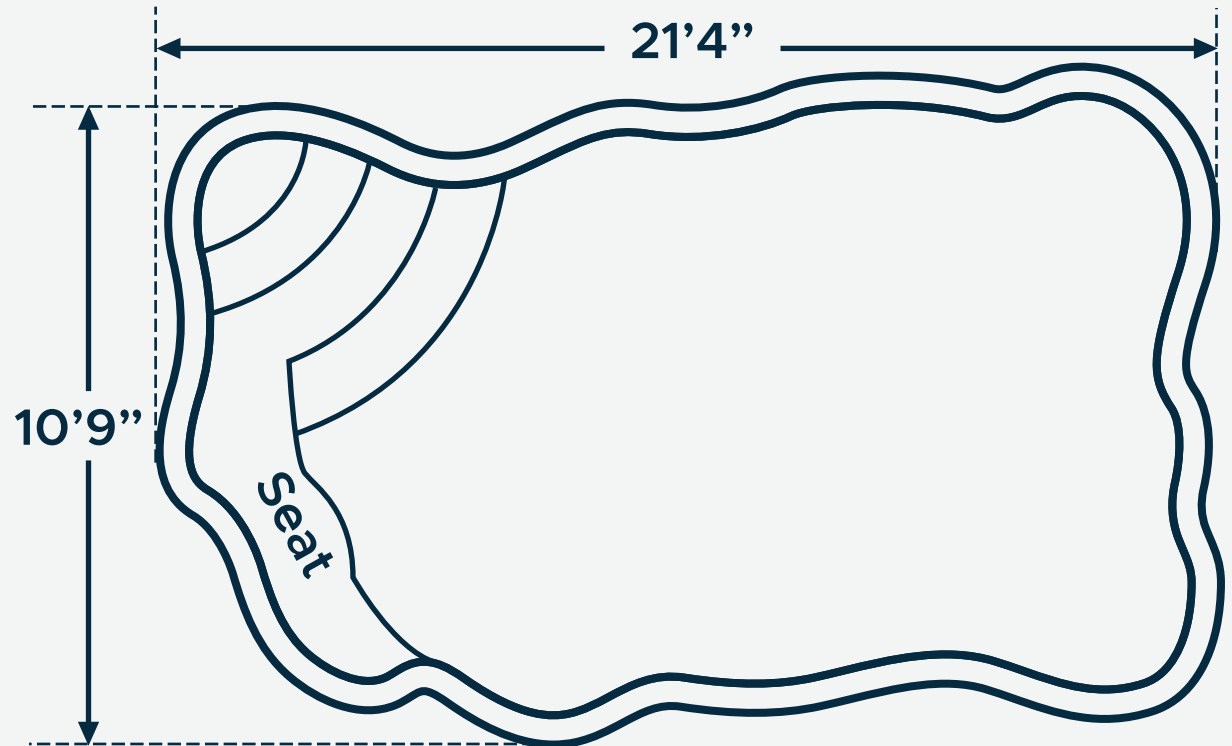
It is important to have your excavator review the Dig Diagram prior to excavation. All dimensions are approximate. A 4" over-dig must be added to the bottom for the stone, along with a 1' by 2' trench from the pool hole to the area of the equipment placement for plumbing and wiring.

**Perimeter feet 60 | Gallons 5200**



[LoneStarFiberglassPools.com](http://LoneStarFiberglassPools.com) | 830.875.6900  
7150 N IH35 | New Braunfels Tx 78130

## The Miami | 21'4" x 10'9"



\*All measurements are approximate

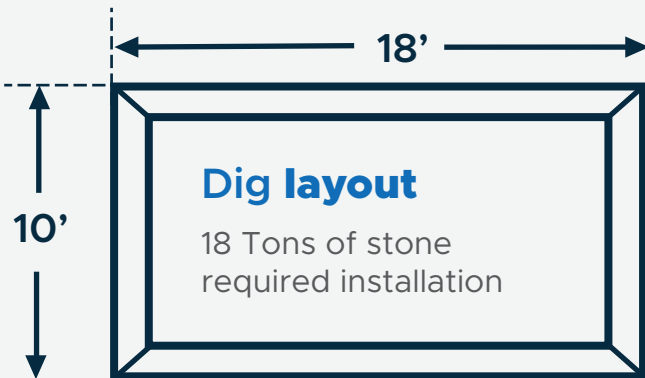


**LONESTAR**  
FIBERGLASS POOLS

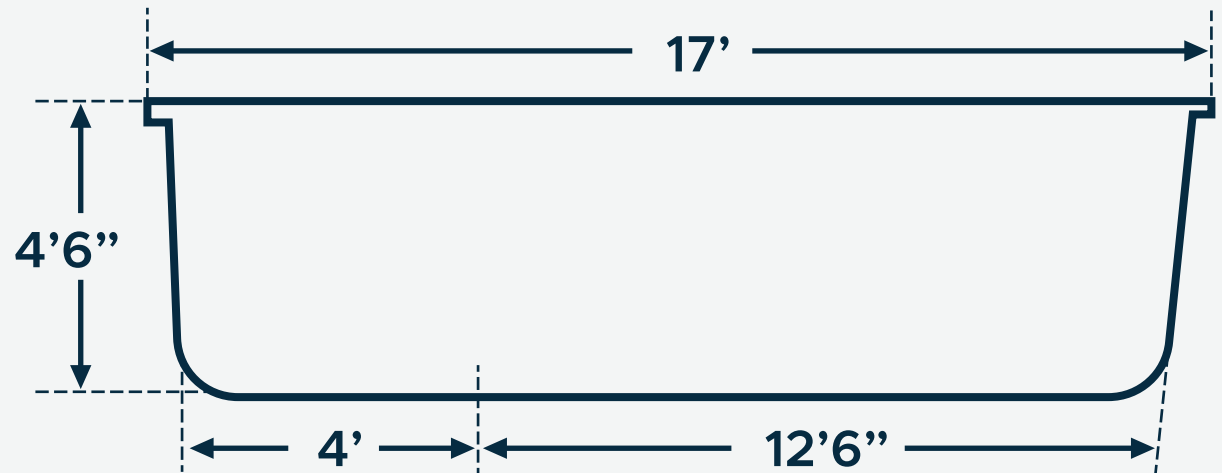
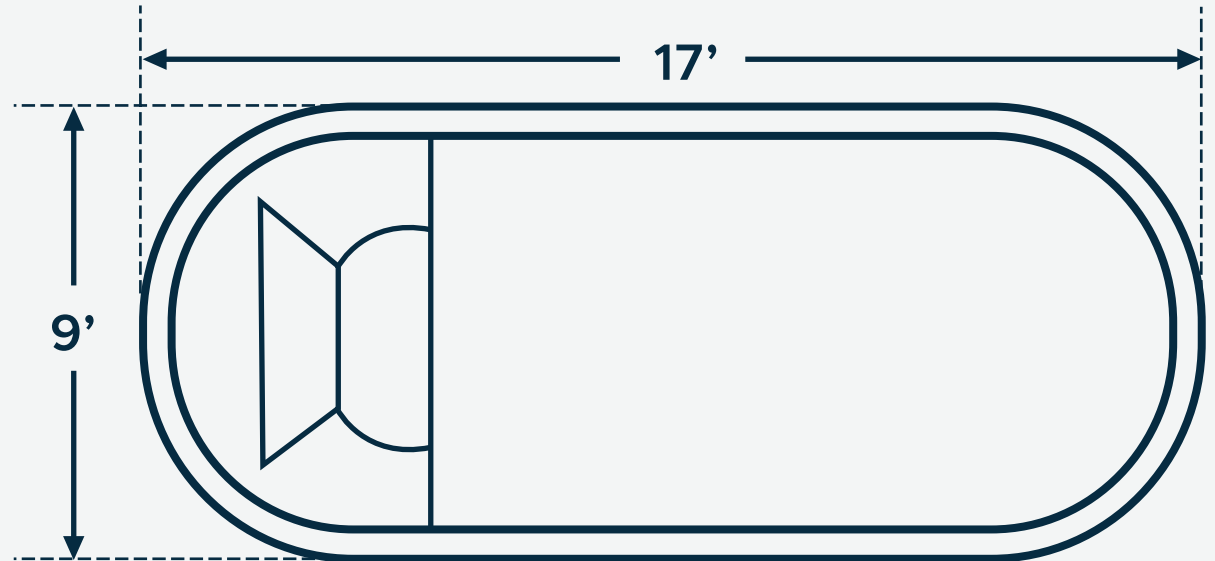
## Dig diagram

It is important to have your excavator review the Dig Diagram prior to excavation. All dimensions are approximate. A 4" over-dig must be added to the bottom for the stone, along with a 1' by 2' trench from the pool hole to the area of the equipment placement for plumbing and wiring.

**Perimeter feet 41 | Gallons 3300**



## The Cheyenne | 17' x 9'



[LoneStarFiberglassPools.com](http://LoneStarFiberglassPools.com) | 830.875.6900  
7150 N IH35 | New Braunfels Tx 78130

\*All measurements are approximate



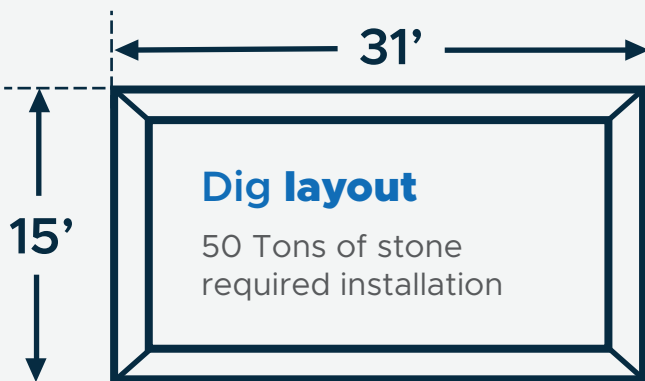
# LONESTAR

FIBERGLASS POOLS

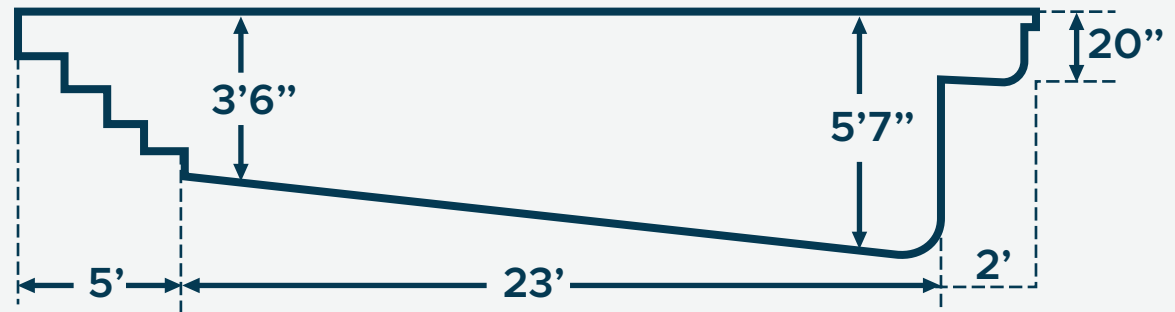
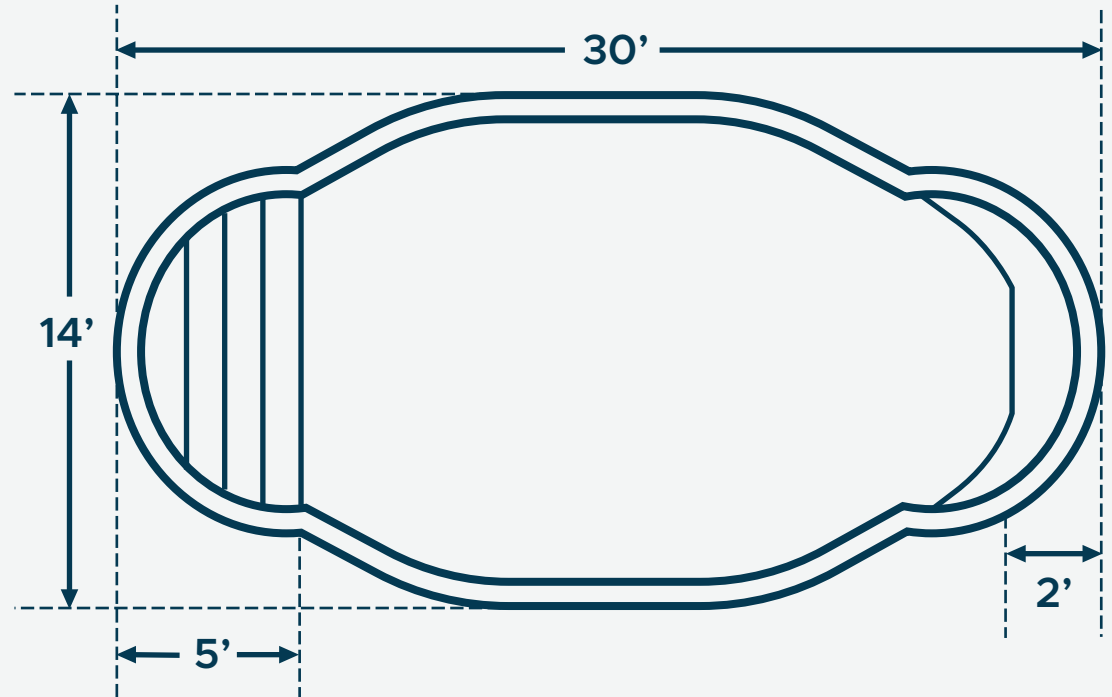
## Dig diagram

It is important to have your excavator review the Dig Diagram prior to excavation. All dimensions are approximate. A 4" over-dig must be added to the bottom for the stone, along with a 1' by 2' trench from the pool hole to the area of the equipment placement for plumbing and wiring.

**Perimeter feet 77 | Gallons 8500**



## The El Dorado | 30' x 14'





**LONESTAR**  
FIBERGLASS POOLS

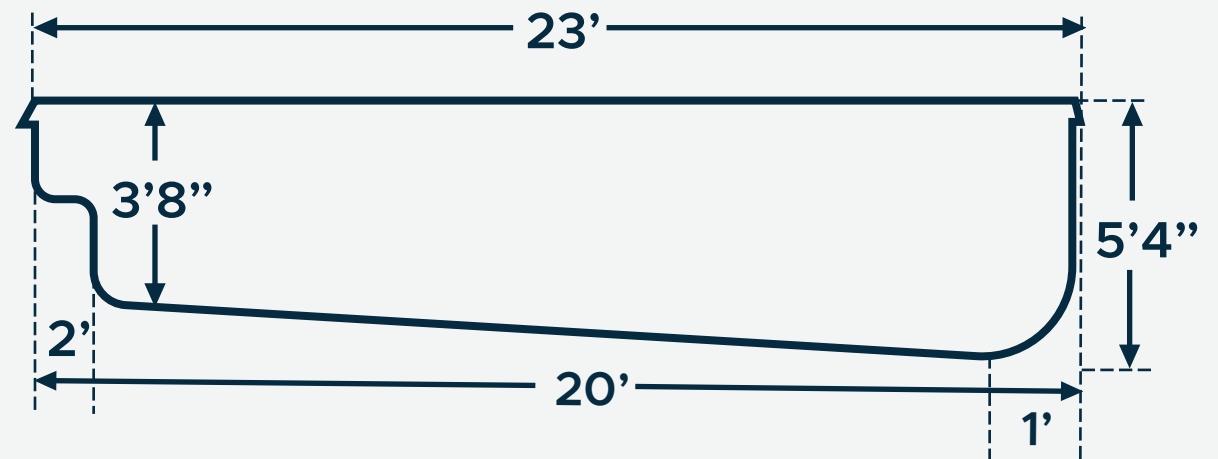
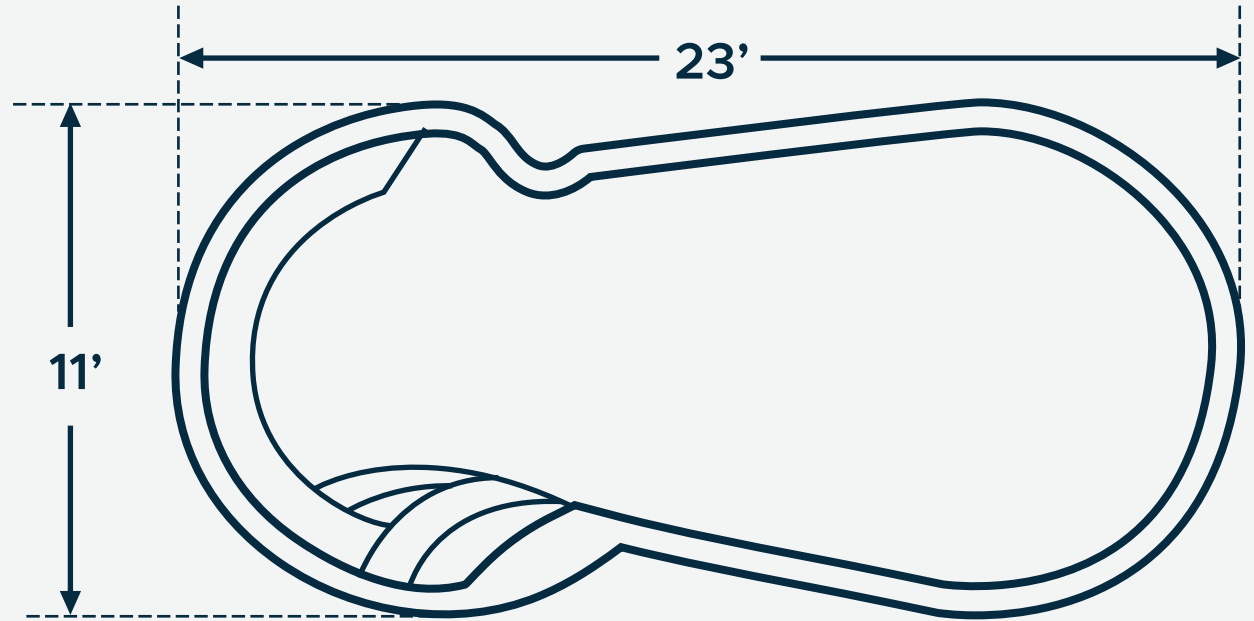
## Dig diagram

It is important to have your excavator review the Dig Diagram prior to excavation. All dimensions are approximate. A 4" over-dig must be added to the bottom for the stone, along with a 1' by 2' trench from the pool hole to the area of the equipment placement for plumbing and wiring.

**Perimeter feet 58 | Gallons 5500**



## The Lincoln | 23' x 11'



[LoneStarFiberglassPools.com](http://LoneStarFiberglassPools.com) | 830.875.6900  
7150 N IH35 | New Braunfels Tx 78130

\*All measurements are approximate

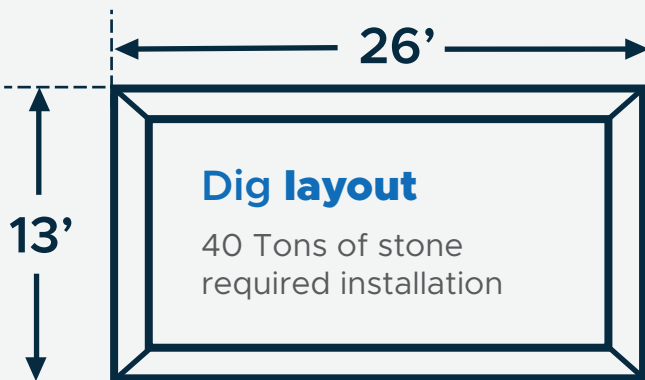


**LONESTAR**  
FIBERGLASS POOLS

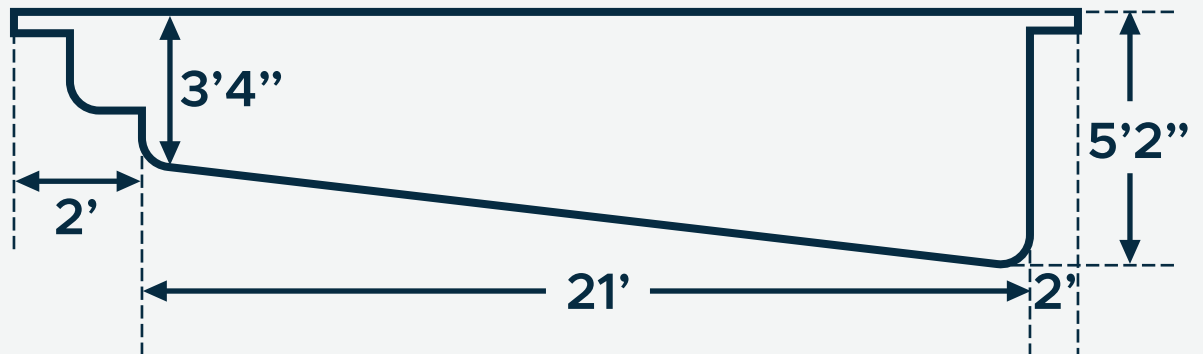
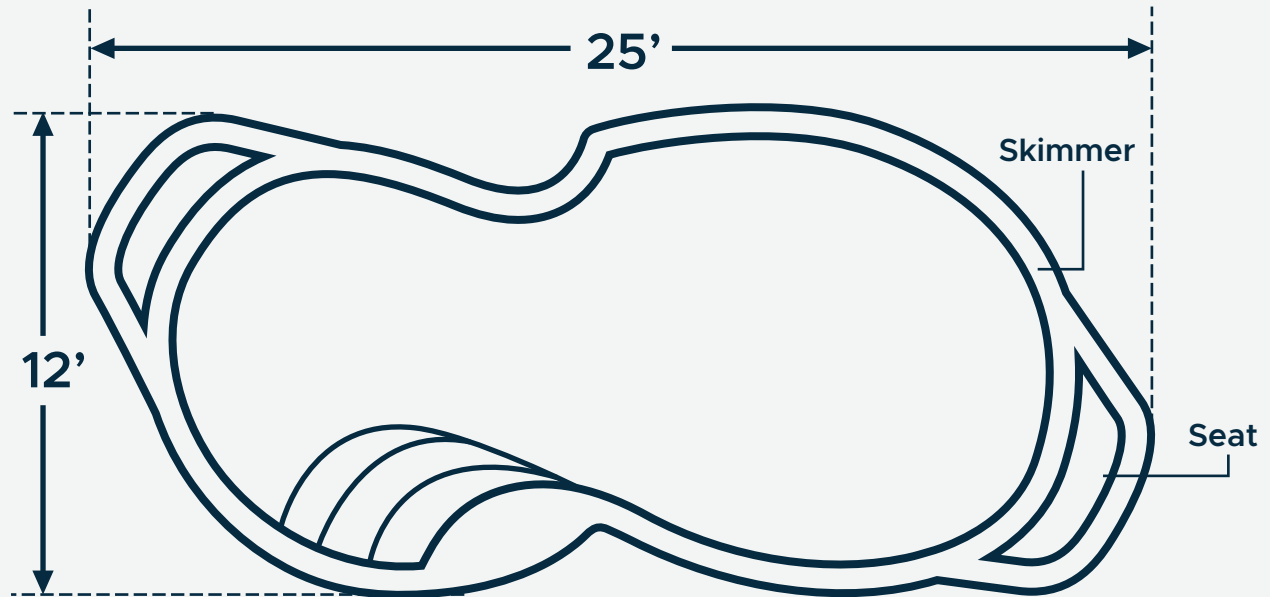
## Dig diagram

It is important to have your excavator review the Dig Diagram prior to excavation. All dimensions are approximate. A 4" over-dig must be added to the bottom for the stone, along with a 1' by 2' trench from the pool hole to the area of the equipment placement for plumbing and wiring.

**Perimeter feet 63 | Gallons 6500**



## The Kingsbury | 25' x 12'



[LoneStarFiberglassPools.com](http://LoneStarFiberglassPools.com) | 830.875.6900  
7150 N IH35 | New Braunfels Tx 78130

\*All measurements are approximate

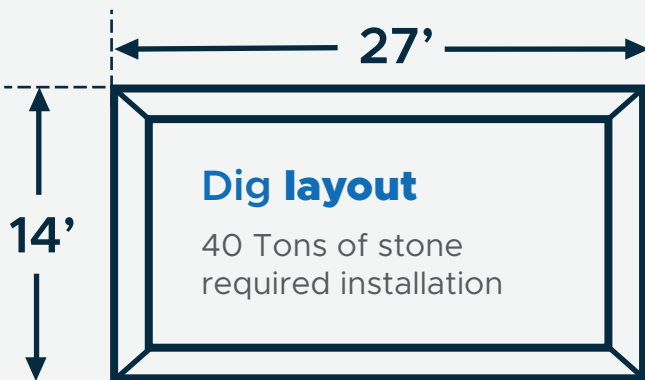


**LONESTAR**  
FIBERGLASS POOLS

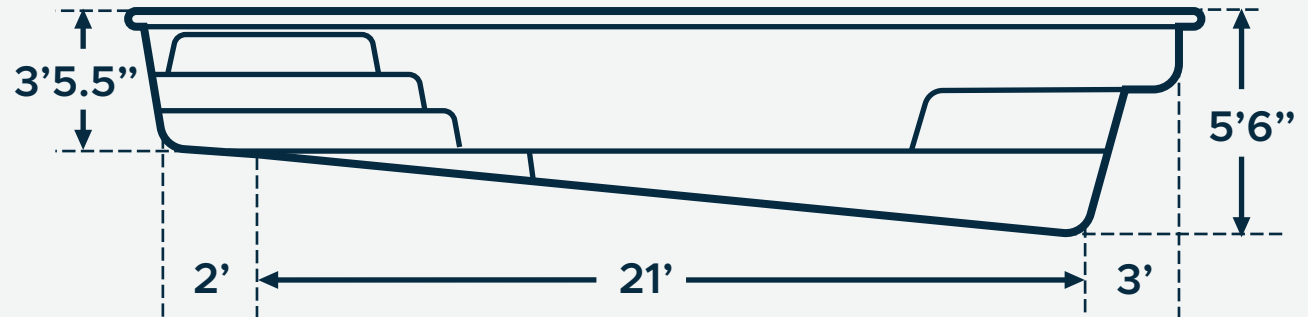
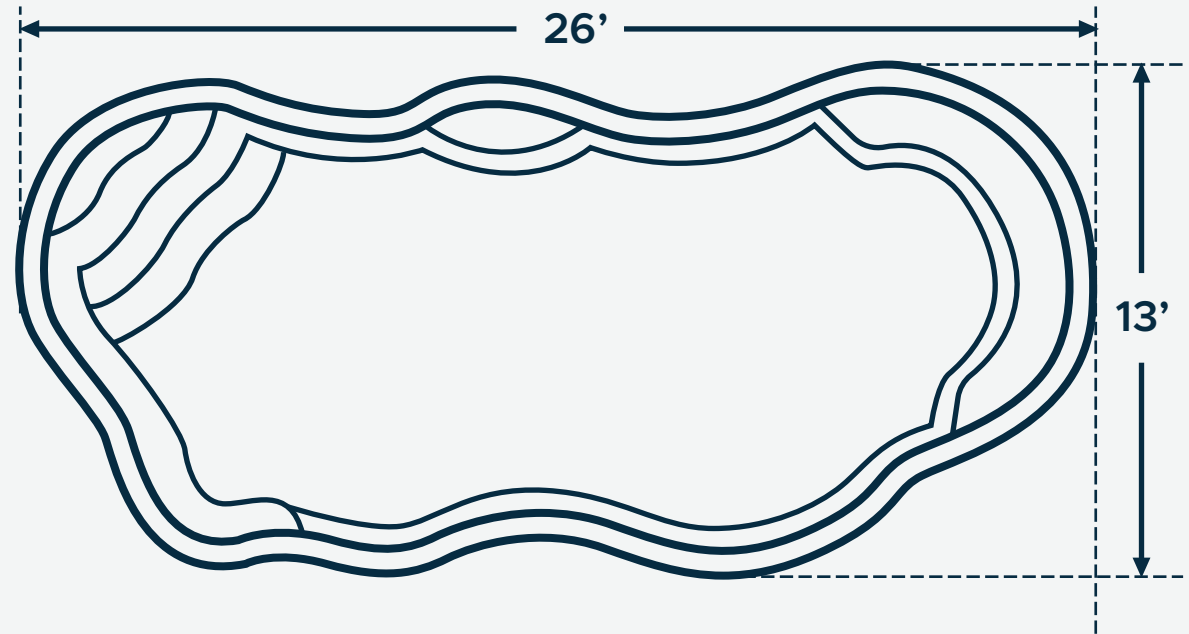
## Dig diagram

It is important to have your excavator review the Dig Diagram prior to excavation. All dimensions are approximate. A 4" over-dig must be added to the bottom for the stone, along with a 1' by 2' trench from the pool hole to the area of the equipment placement for plumbing and wiring.

**Perimeter feet 69 | Gallons 8700**



## The Atlantis | 26' x 13'



[LoneStarFiberglassPools.com](http://LoneStarFiberglassPools.com) | 830.875.6900  
7150 N IH35 | New Braunfels Tx 78130

\*All measurements are approximate



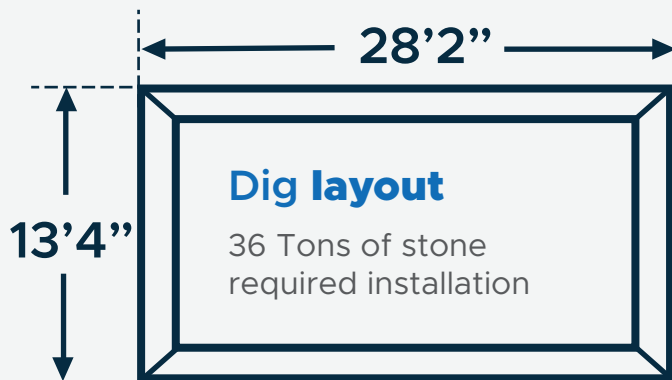
# LONESTAR

FIBERGLASS POOLS

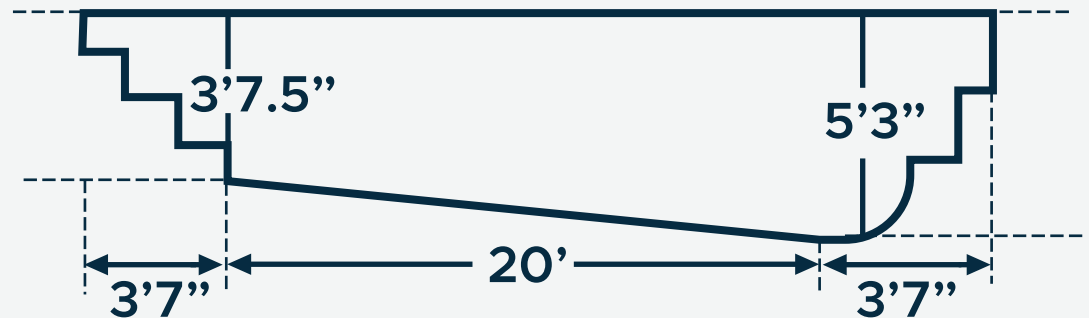
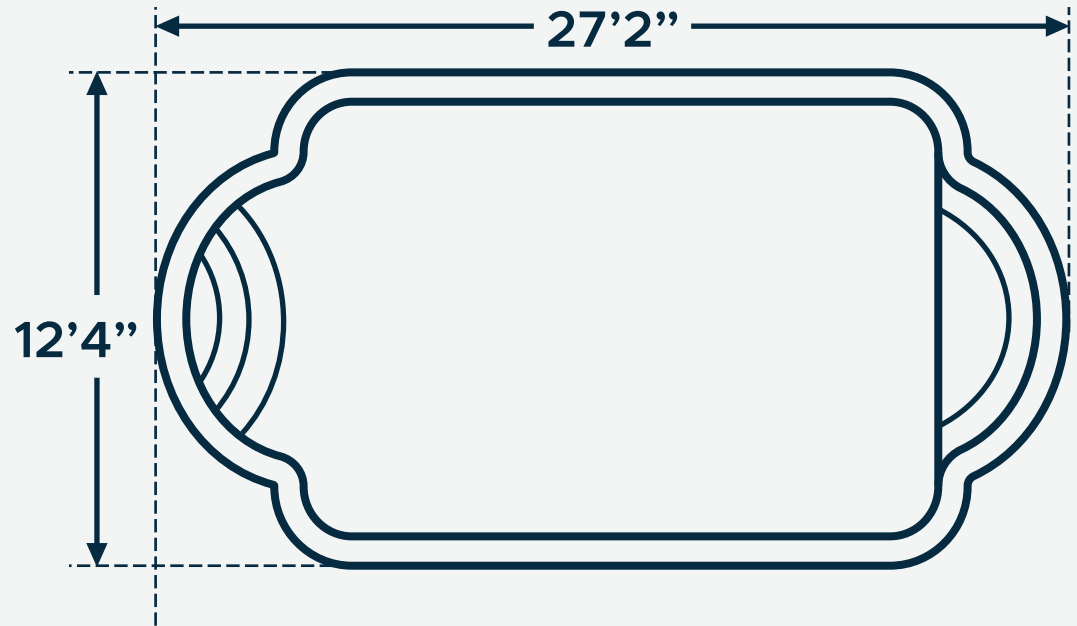
## Dig diagram

It is important to have your excavator review the Dig Diagram prior to excavation. All dimensions are approximate. A 4" over-dig must be added to the bottom for the stone, along with a 1' by 2' trench from the pool hole to the area of the equipment placement for plumbing and wiring.

**Perimeter feet 68 | Gallons 7500**



## The New Orleans | 27'2" x 12'4"



[LoneStarFiberglassPools.com](http://LoneStarFiberglassPools.com) | 830.875.6900  
7150 N IH35 | New Braunfels Tx 78130

\*All measurements are approximate



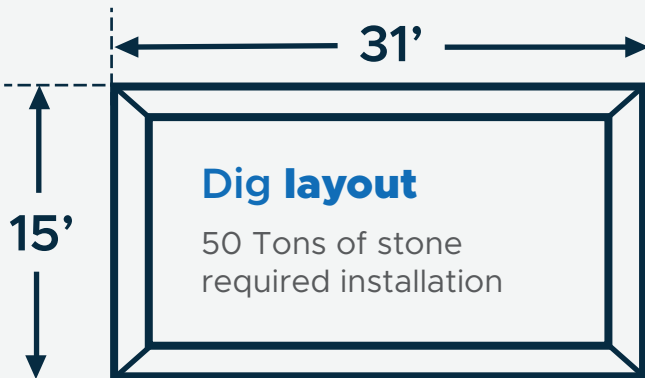


**LONESTAR**  
FIBERGLASS POOLS

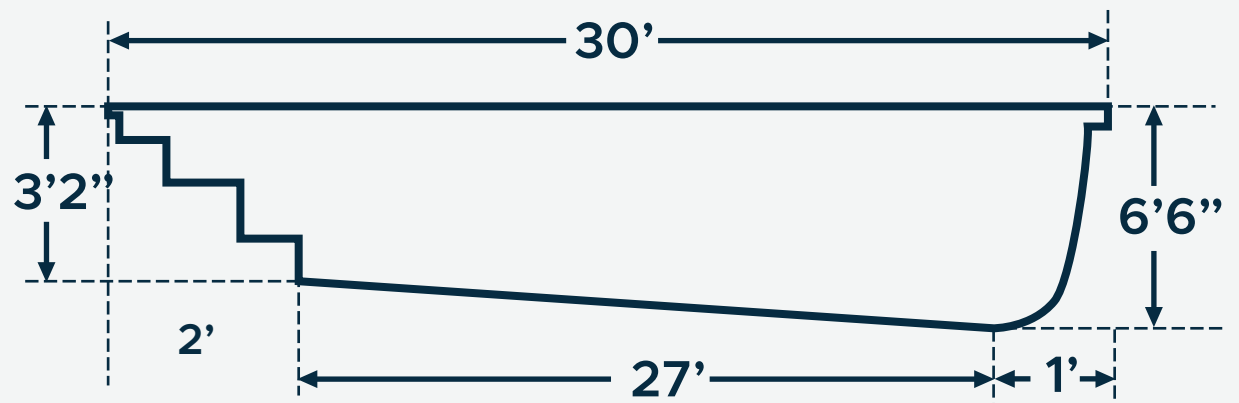
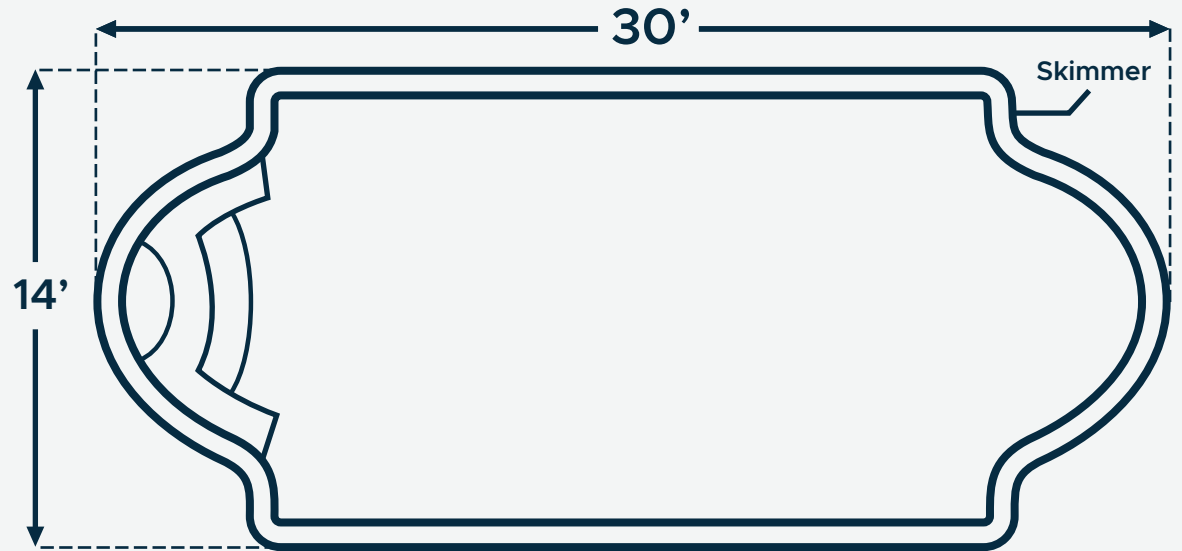
## Dig diagram

It is important to have your excavator review the Dig Diagram prior to excavation. All dimensions are approximate. A 4" over-dig must be added to the bottom for the stone, along with a 1' by 2' trench from the pool hole to the area of the equipment placement for plumbing and wiring.

**Perimeter feet 79 | Gallons 9500**



## The Phoenix | 30' x 14'



[LoneStarFiberglassPools.com](http://LoneStarFiberglassPools.com) | 830.875.6900  
7150 N IH35 | New Braunfels Tx 78130

\*All measurements are approximate



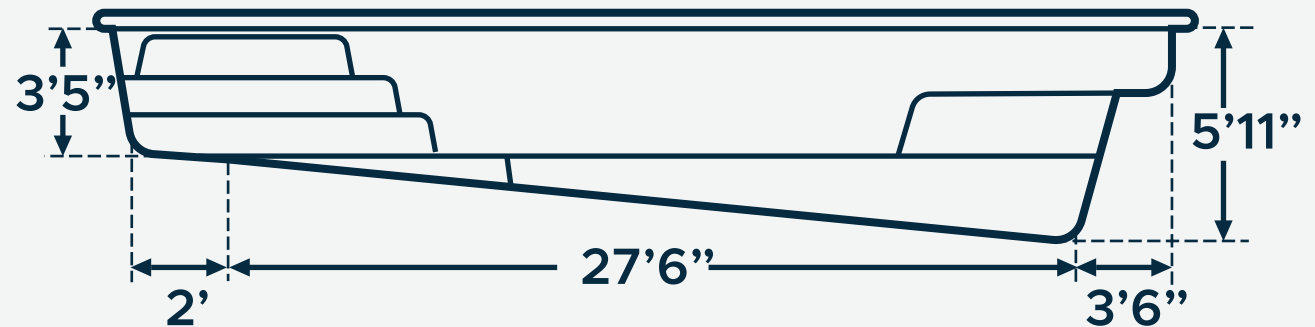
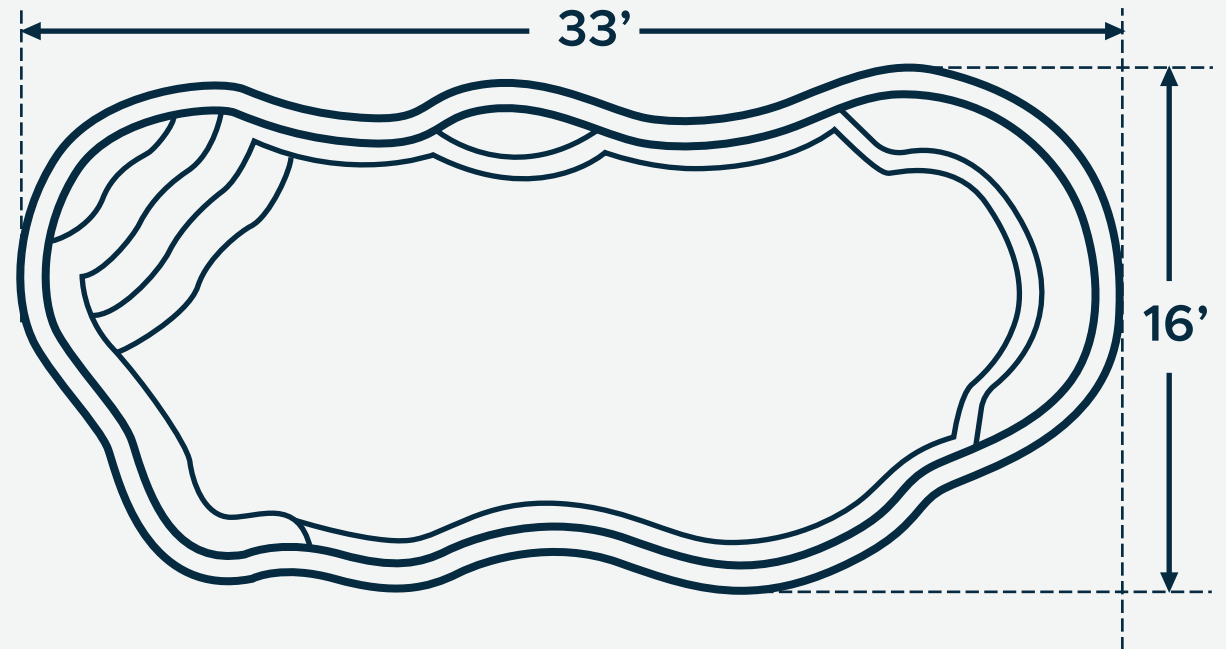
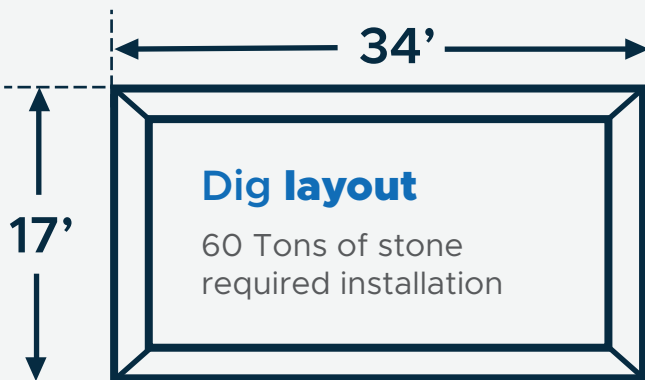
**LONESTAR**  
FIBERGLASS POOLS

## The Cabo | 33' x 16'

### Dig diagram

It is important to have your excavator review the Dig Diagram prior to excavation. All dimensions are approximate. A 4" over-dig must be added to the bottom for the stone, along with a 1' by 2' trench from the pool hole to the area of the equipment placement for plumbing and wiring.

**Perimeter feet 87 | Gallons 13,000**



[LoneStarFiberglassPools.com](http://LoneStarFiberglassPools.com) | 830.875.6900  
7150 N IH35 | New Braunfels Tx 78130

\*All measurements are approximate

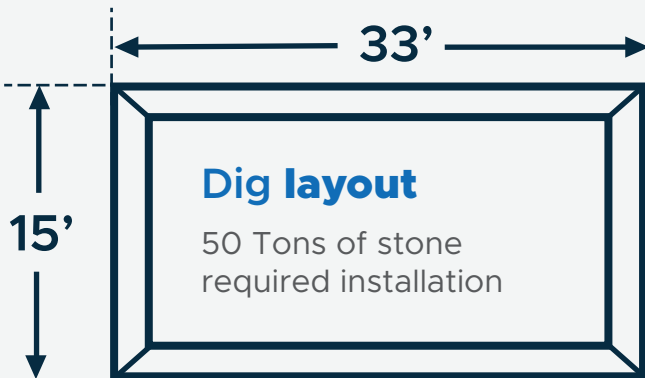


**LONESTAR**  
FIBERGLASS POOLS

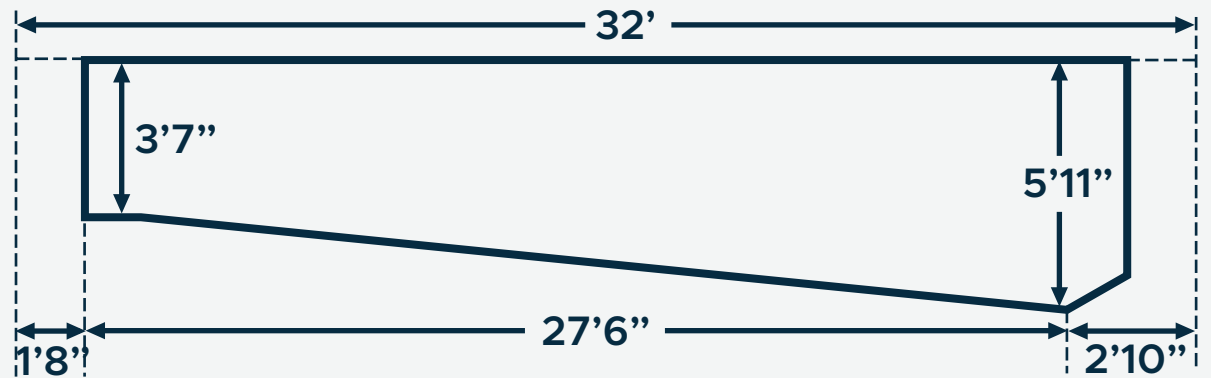
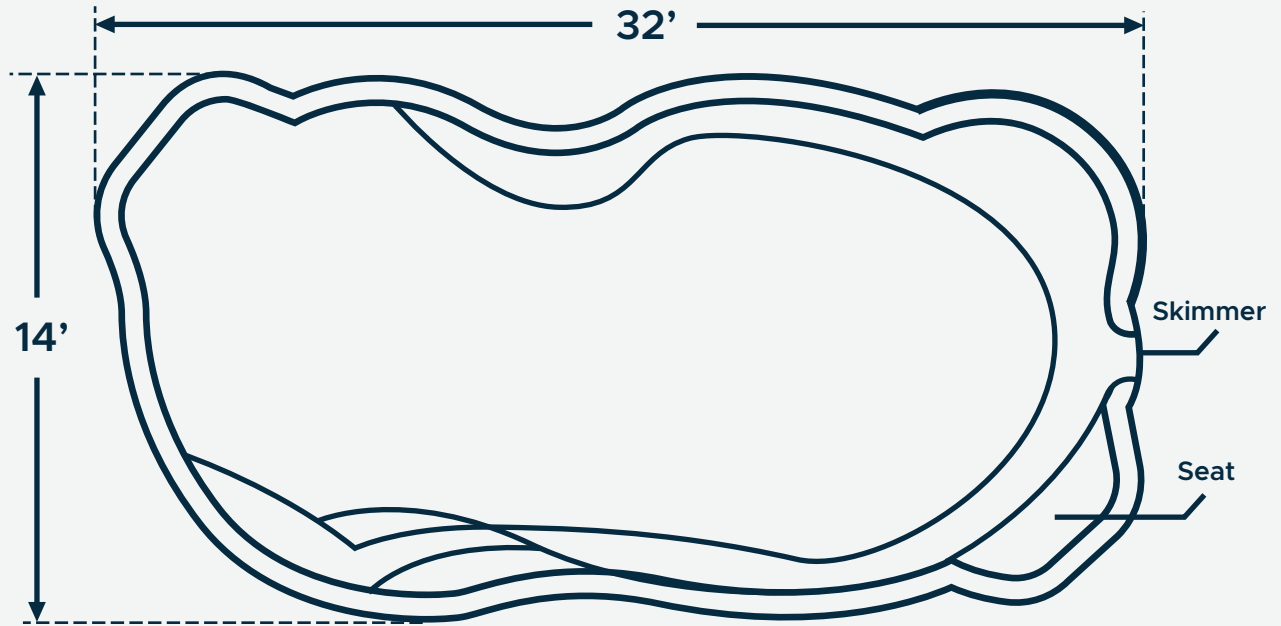
## Dig diagram

It is important to have your excavator review the Dig Diagram prior to excavation. All dimensions are approximate. A 4" over-dig must be added to the bottom for the stone, along with a 1' by 2' trench from the pool hole to the area of the equipment placement for plumbing and wiring.

**Perimeter feet 80 | Gallons 9500**



## The Santa Fe | 32' x 14'



[LoneStarFiberglassPools.com](http://LoneStarFiberglassPools.com) | 830.875.6900  
7150 N IH35 | New Braunfels Tx 78130

\*All measurements are approximate

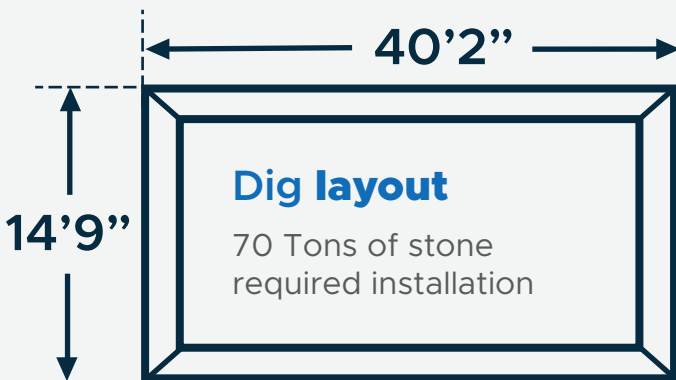


**LONESTAR**  
FIBERGLASS POOLS

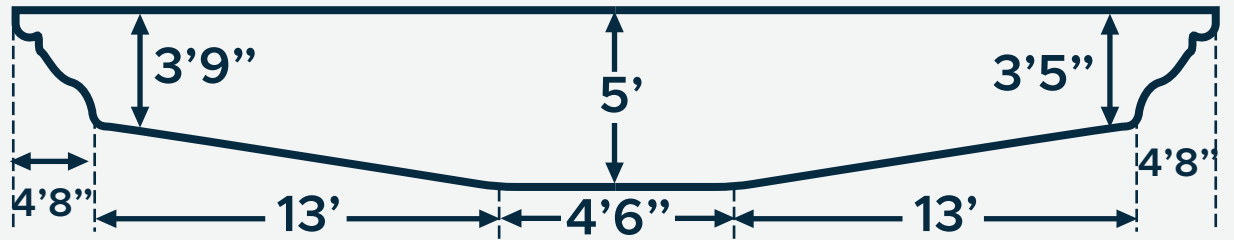
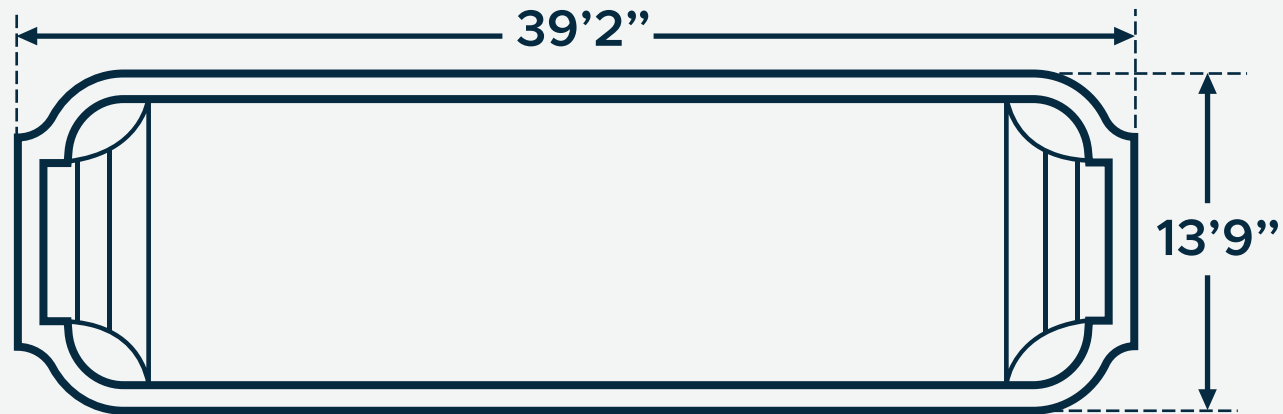
## Dig diagram

It is important to have your excavator review the Dig Diagram prior to excavation. All dimensions are approximate. A 4" over-dig must be added to the bottom for the stone, along with a 1' by 2' trench from the pool hole to the area of the equipment placement for plumbing and wiring.

**Perimeter feet 108 | Gallons 17,000**



## The Vegas | 39'2" x 13'9"



[LoneStarFiberglassPools.com](http://LoneStarFiberglassPools.com) | 830.875.6900  
7150 N IH35 | New Braunfels Tx 78130

\*All measurements are approximate

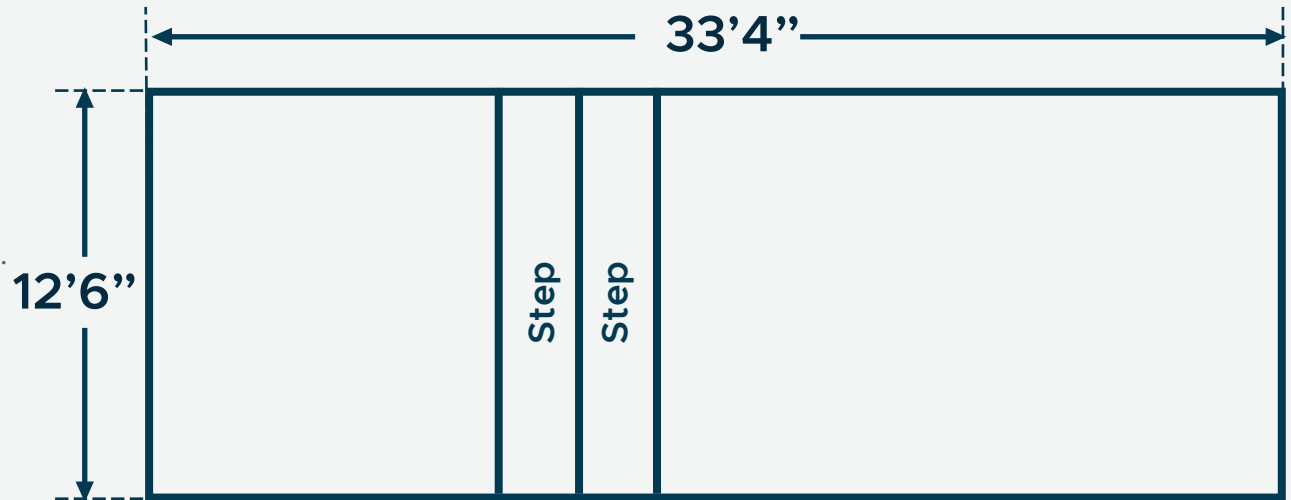


**LONESTAR**  
FIBERGLASS POOLS

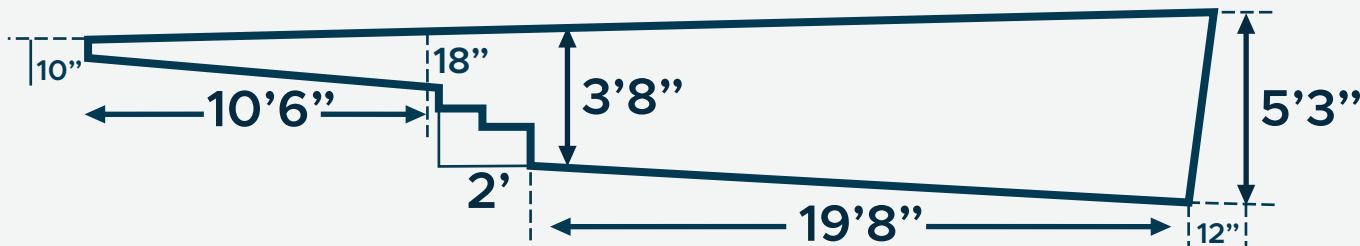
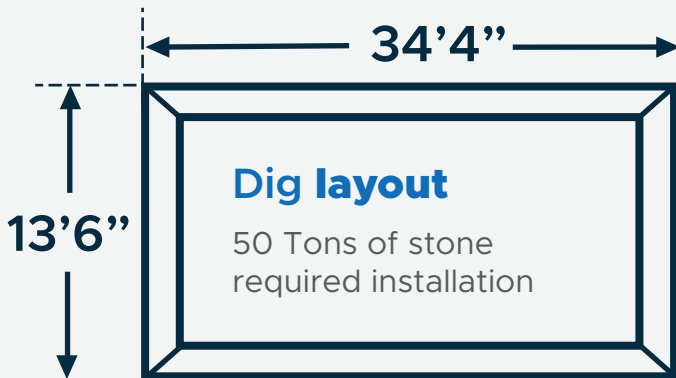
# The Malibu | 33'4" x 12'6"

## Dig diagram

It is important to have your excavator review the Dig Diagram prior to excavation. All dimensions are approximate. A 4" over-dig must be added to the bottom for the stone, along with a 1' by 2' trench from the pool hole to the area of the equipment placement for plumbing and wiring.



**Perimeter feet 88 | Gallons 8,500**



[LoneStarFiberglassPools.com](http://LoneStarFiberglassPools.com) | 830.875.6900  
7150 N IH35 | New Braunfels Tx 78130

\*All measurements are approximate



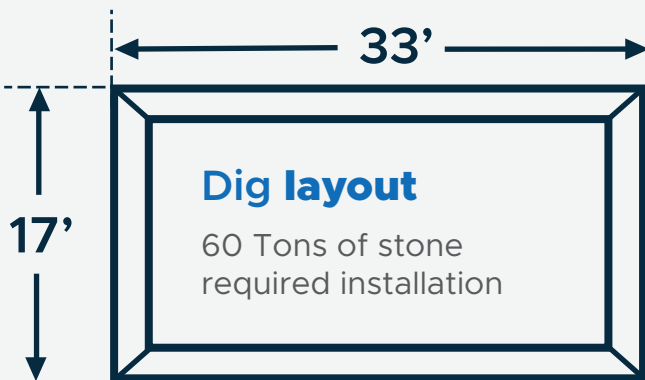
# LONESTAR

FIBERGLASS POOLS

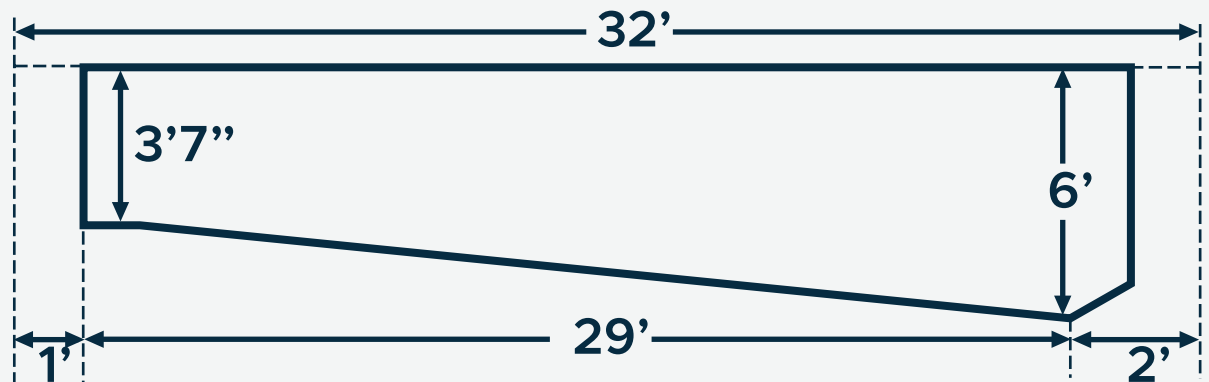
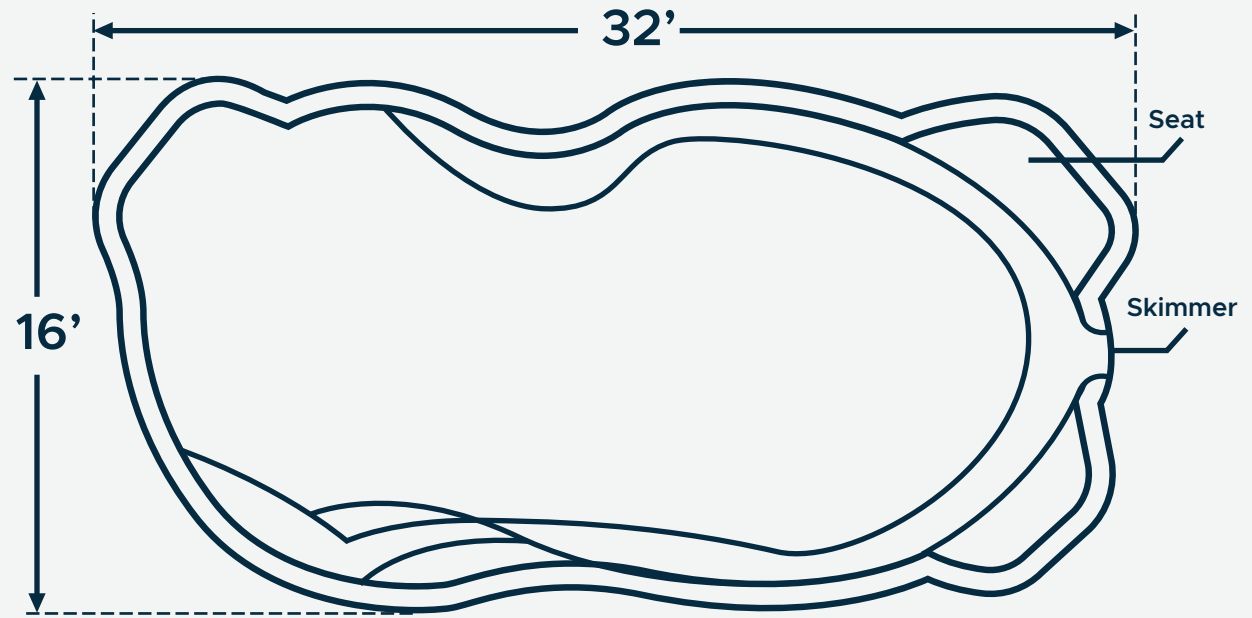
## Dig diagram

It is important to have your excavator review the Dig Diagram prior to excavation. All dimensions are approximate. A 4" over-dig must be added to the bottom for the stone, along with a 1' by 2' trench from the pool hole to the area of the equipment placement for plumbing and wiring.

**Perimeter feet 84 | Gallons 11,000**



## The Savannah | 32' x 16'



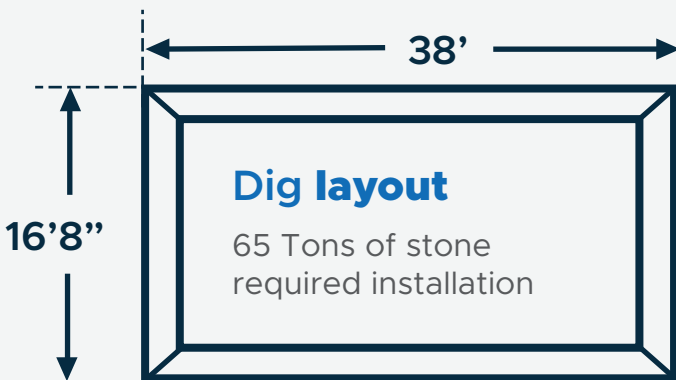


**LONESTAR**  
FIBERGLASS POOLS

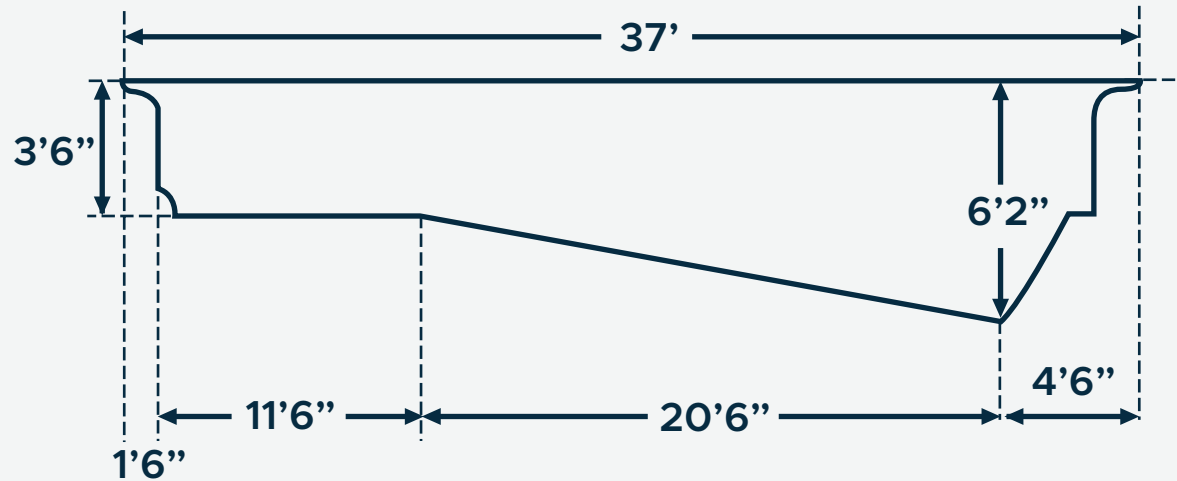
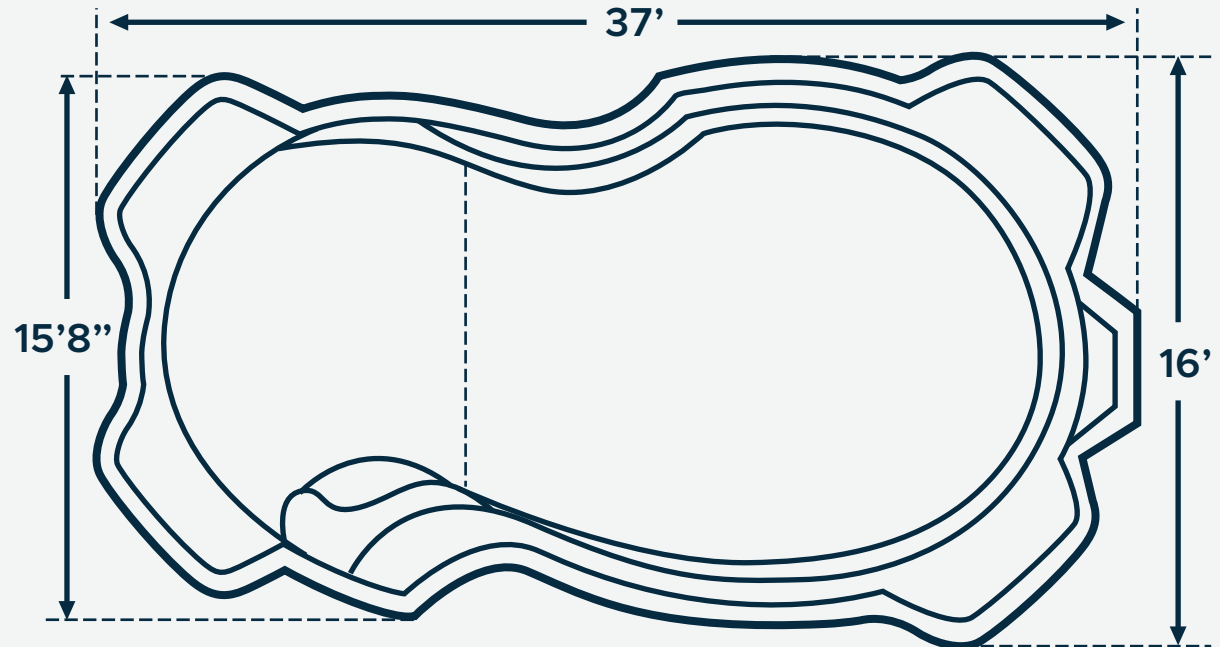
## Dig diagram

It is important to have your excavator review the Dig Diagram prior to excavation. All dimensions are approximate. A 4" over-dig must be added to the bottom for the stone, along with a 1' by 2' trench from the pool hole to the area of the equipment placement for plumbing and wiring.

**Perimeter feet 98 | Gallons 15,000**



## The Charleston | 37' x 15'8"



[LoneStarFiberglassPools.com](http://LoneStarFiberglassPools.com) | 830.875.6900  
7150 N IH35 | New Braunfels Tx 78130

\*All measurements are approximate

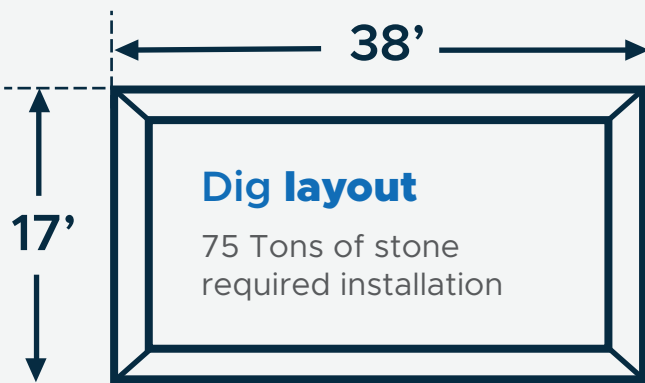


**LONESTAR**  
FIBERGLASS POOLS

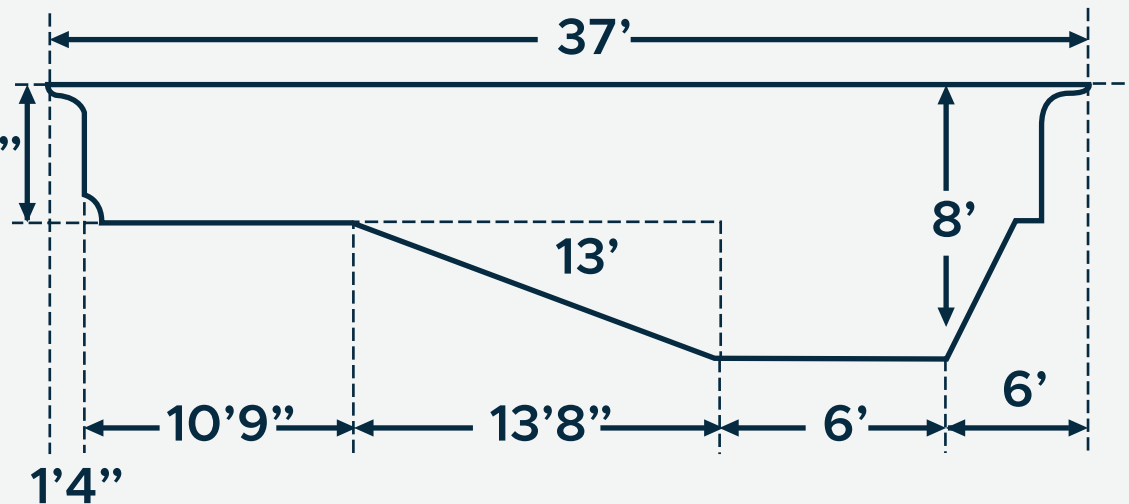
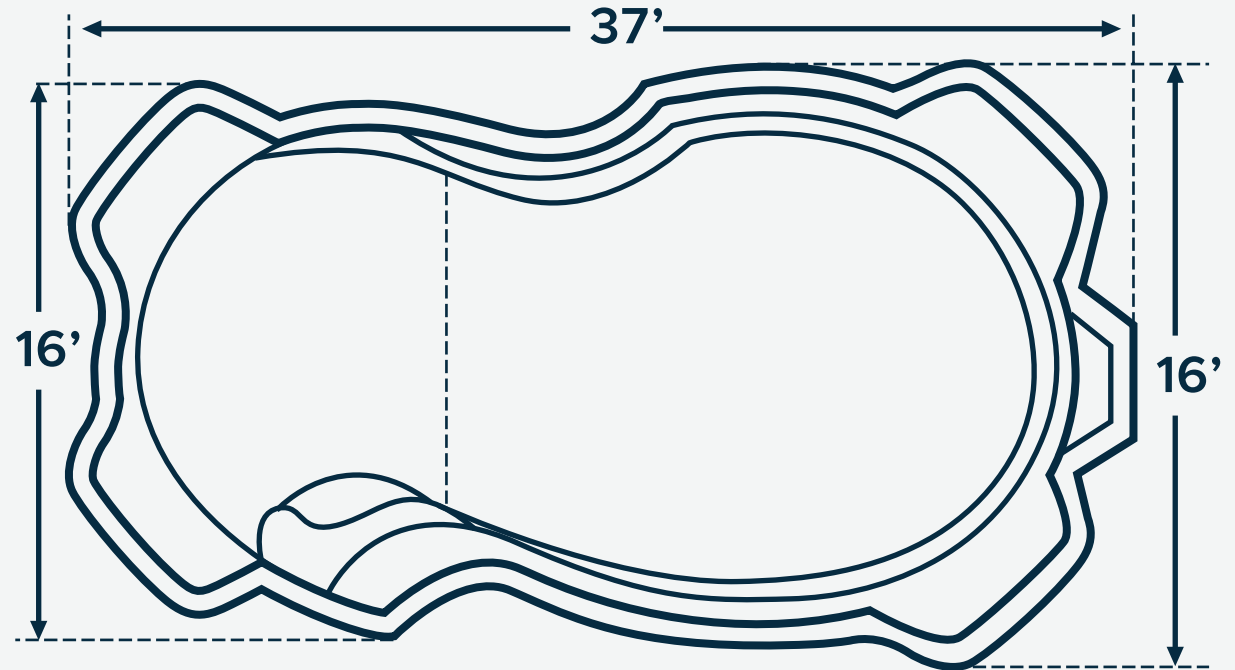
## Dig diagram

It is important to have your excavator review the Dig Diagram prior to excavation. All dimensions are approximate. A 4" over-dig must be added to the bottom for the stone, along with a 1' by 2' trench from the pool hole to the area of the equipment placement for plumbing and wiring.

**Perimeter feet 98 | Gallons 18,000**



## The Tulsa | 37' x 16'



[LoneStarFiberglassPools.com](http://LoneStarFiberglassPools.com) | 830.875.6900  
7150 N IH35 | New Braunfels Tx 78130

\*All measurements are approximate





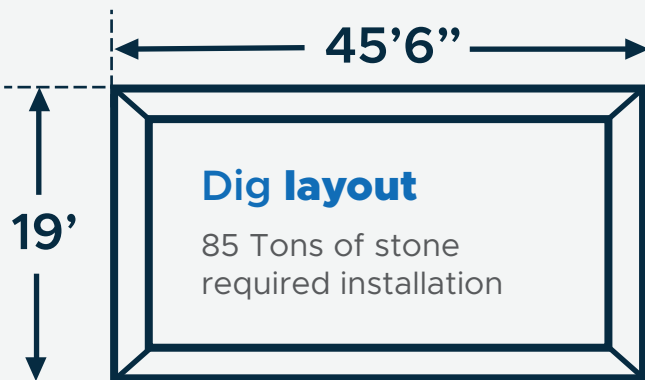
# LONESTAR

FIBERGLASS POOLS

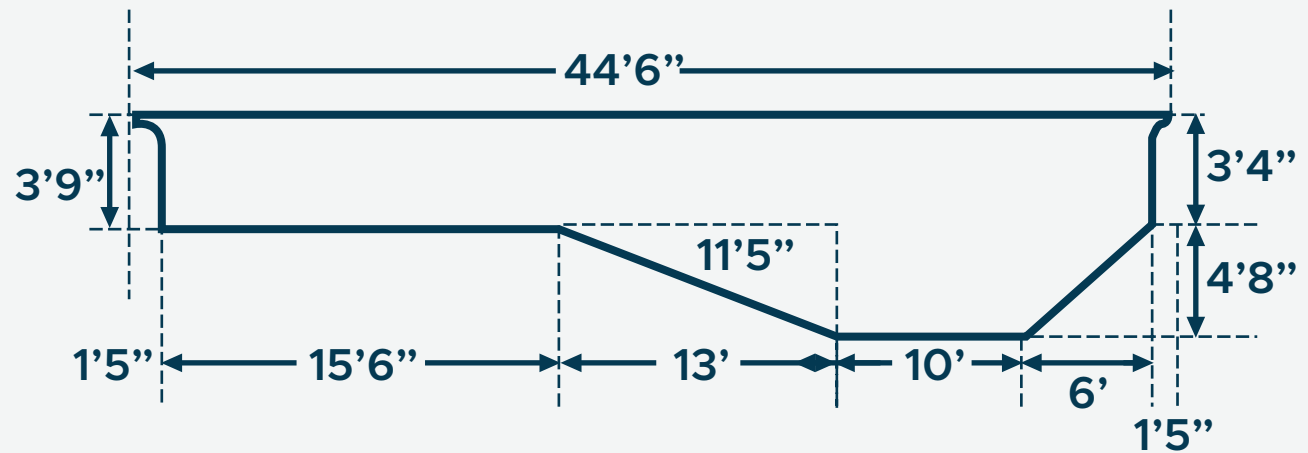
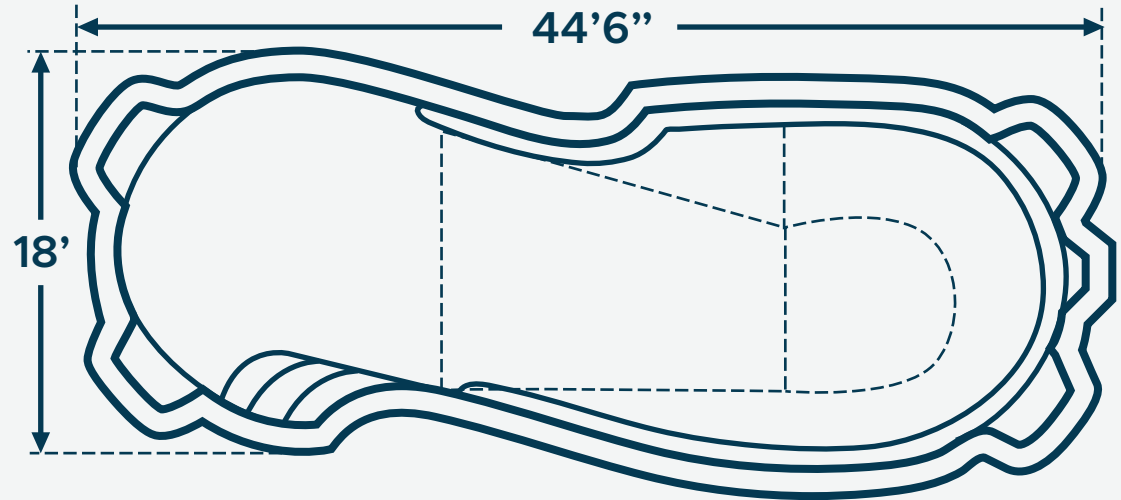
## Dig diagram

It is important to have your excavator review the Dig Diagram prior to excavation. All dimensions are approximate. A 4" over-dig must be added to the bottom for the stone, along with a 1' by 2' trench from the pool hole to the area of the equipment placement for plumbing and wiring.

**Perimeter feet 98 | Gallons 18,000**



## The Independence | 44'6" x 18'



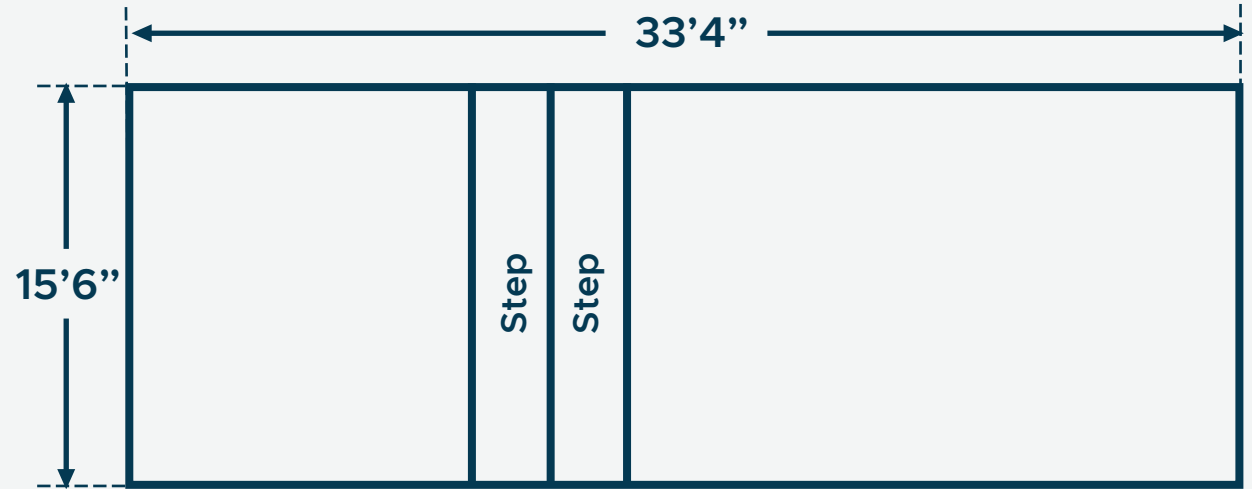


**LONESTAR**  
FIBERGLASS POOLS

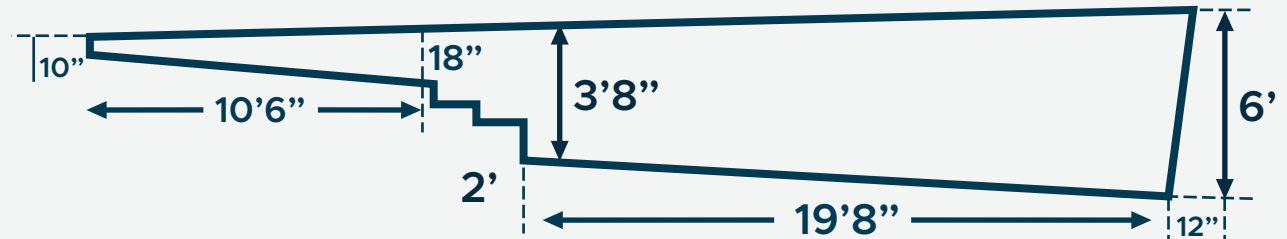
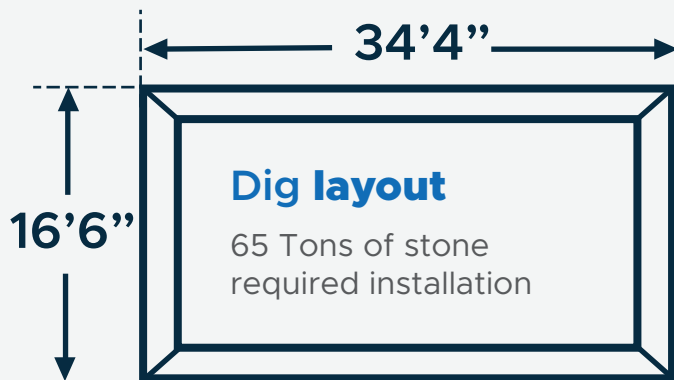
# The Laguna | 33'4" x 15'6"

## Dig diagram

It is important to have your excavator review the Dig Diagram prior to excavation. All dimensions are approximate. A 4" over-dig must be added to the bottom for the stone, along with a 1' by 2' trench from the pool hole to the area of the equipment placement for plumbing and wiring.



**Perimeter feet 98 | Gallons 9,500**



[LoneStarFiberglassPools.com](http://LoneStarFiberglassPools.com) | 830.875.6900  
7150 N IH35 | New Braunfels Tx 78130

\*All measurements are approximate